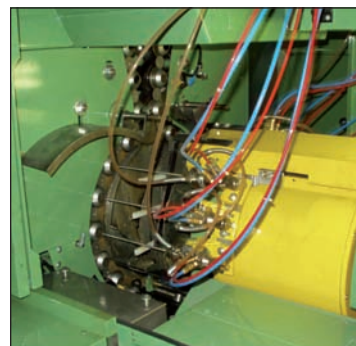
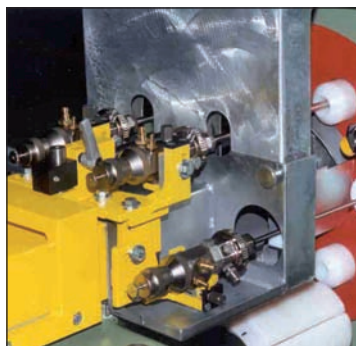
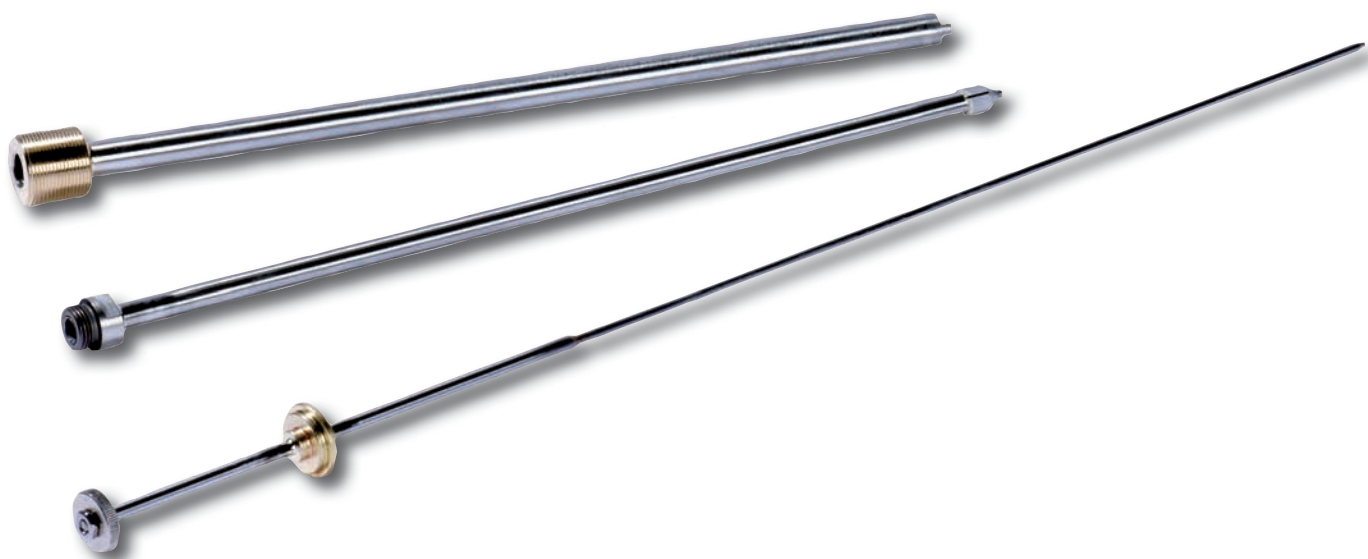




ORIGINAL SPARE PARTS

FOR SPRIMAG AND AISA INTERNAL COATING MACHINES AND OVENS



1 Index

2 Paint Supply and Spraying Technology

2.1 Paint Supply

2.1.1 Pressure Pot

2.1.2 Paint Filter and Accessories

2.1.3 Paint Hoses

2.1.4 Fluid Pressure Regulators

2.1.4.1 Sprimag Fluid Pressure Regulators

2.1.4.2 Sets of Wear Parts for Sprimag Fluid Pressure Regulators

2.1.4.3 Single Components and Accessoires for Sprimag Fluid Pressure Regulators

2.1.4.4 Tools for Sprimag Pressure Regulators

2.1.4.5 Conversion Set for a Third-Party-Regulator into a Sprimag Fluid Pressure Regulator

2.1.4.6 Fluid Pressure Regulators - Third-party Products

2.1.5 Pumps

2.1.6 Paint Fluid Heater

2.1.7 Stand-Alone Paint Supply with circulation and Paint Heater

2.2 Spraying Technology

2.2.1 Spray Guns and Accessories

2.2.1.1 Airless Spray Guns

2.2.1.2 Spare Parts, Nozzle Sets

2.2.1.3 Internal Spray Gun S-233

2.2.1.4 Spare Parts for Internal Spray Gun S-233

2.2.1.5 Nozzle Extension Sets for Internal Spray Gun S-233

2.2.1.6 Centrifugal Gun S-520

2.2.1.7 Nozzles and Spare Parts for Centrifugal Gun S-520

2.2.1.8 Assembling Tool for Centrifugal Gun Head S-520

2.2.1.9 Centrifugal Gun S-540

2.2.1.10 Nozzle sets (nozzle needle + paint tube) for S-540

2.2.1.11 Centrifugal nozzles for S-540

3 General Spare Parts

3.1 Solvent Resistant Air Hoses

4 Machine-specific Spare Parts

4.1 HIL (Horizontal Internal Coating Machine)

4.1.1 HIL-02

4.1.1.1 Retrofit Kit HIL-02 for 2 Spray Guns S-233, HIL-02-P for 1 Spray Gun S-233

4.1.1.2 Retrofit Kit HIL-02 for 3rd Spray Gun

4.1.1.3 Retrofit Kits for HIL-02

4.1.1.4 Wear Parts Brake Assembly

4.1.2 HIL-06/08

4.1.2.1 Retrofit Kit HIL-06/08 for 4 Spray Guns S-233 (Chain Position Modified)

4.1.2.2 Retrofit Kit HIL-06/08 for 4 Spray Guns S-233 (Chain Position not Modified)

4.1.2.3 Retrofit Kit HIL-06/08 for 6 Spray Guns S-233

4.1.2.4 Retrofit Kits for HIL-06/08

4.1.3 HIL-16

4.1.3.1 Spindle for Chain

4.1.3.2 Retrofit Kit HIL-16 for 6 Spray Guns S-233

4.1.4 HIL-17

4.1.4.1 Retrofit Kit HIL-17 for 6 Spray Guns S-233

4.1.5 HIL-19/20

4.1.5.1 Retrofit Kit HIL-19/20 for 6 Spray Guns S-233

4.1.6 HIL-26/28

4.1.6.1 Retrofit Kit HIL-26/28 for 6 Spray Guns S-233

4.1.6.2 Cleaning Device for Spray Guns, Pneumatic Rotary Drive

4.1.6.3 Cleaning Device for Spray Guns, Pneumatic Cylinder

4.1.6.4 Retrofit kit brake and clutch HIL-26/28

4.1.7 HIL-31/32

4.1.7.1 Retrofit Kit HIL-31/32 for 4 Spray Guns S-233

4.1.7.2 Retrofit Kit HIL-31/32 for 6 Spray Guns S-233

4.1.7.3 Conversion Kit HIL 31 Drive for Ortlinghaus Coupling

- 4.1.8 HIL-34
- 4.1.9 HIL-40/42
 - 4.1.9.1 Retrofit Kit for Reinforced Escapement if Spray Guns -Similar to HIL-64
 - 4.1.9.2 Retrofit Kit Vacuum Disc Ejection Device
 - 4.1.9.3 Chain Spindle
- 4.1.10 HIL-50/52
 - 4.1.10.1 Retrofit Kit Vacuum Disc Ejection Device / Vacuum Transfer
 - 4.1.10.2 Spindle for chain
- 4.1.11 HIL-64/66
 - 4.1.11.1 Spindle for Chain
- 4.1.12 Spare parts for various HILs
 - 4.1.12.1 Push-in Device
 - 4.1.12.2 Ejection Device
 - 4.1.12.3 Split Ring Gear
- 4.2 CIL
 - 4.2.1 Retrofit Kit Vacuum Disc Ejection Device
- 4.3 TGO (Annealing Oven for Tubes) and TIT / DIT (Internal Drier for Tubes / Cans)
 - 4.3.1 Chains
 - 4.3.1.1 Conveying Chains for Drier up to 350 °C
 - 4.3.1.2 Conveying Chains for Drier up to 600 °C
 - 4.3.2 Sprockets
 - 4.3.2.1 Sprockets for Conveyor Chains
 - 4.3.3 Chain Lubrication for DIT, TIT and TGO
 - 4.3.3.1 Conventional Chain Lubrication
 - 4.3.3.2 Automated Chain Lubrication for chain with lubrication bores
 - 4.3.3.3 Automated Chain Lubrication for conventional drier chains
 - 4.3.3.4 Sprimag lubricating oil up to 300°C
 - 4.3.4 Conveyor Baskets
 - 4.3.5 Heating Radiator for Driers and Annealing Ovens

4.3.6 Worm Gears for Driers and Annealing Ovens

4.3.7 Retrofit Kits for Driers and Annealing Ovens

4.3.7.1 Retrofit Kit Sealings

4.3.7.2 Spare part for drive coupling 50697885 for TGO

4.3.7.3 Spare Part for drive coupling 50697885 for TIT

4.4 TGA-120

4.4.1 Replacement of S-148 with S-520

4.5 TGA-170

4.5.1 Replacement of S-520 with S-540

4.6 Retrofit Kits ILZ

5 Customized Spare Parts

5.1 Tooling Set

5.2 Improvements of AVT Drum for HIL and Cooling Tower

5.2.1 Upgrade Kit Vacuum Adjustment HIL

5.2.2 Upgrade Kit Vacuum Adjustment Cooling Tower

5.2.3 Drive for AVT - complete

5.2.4 Upgrade Torque Support

5.2.5 Upgrade Drum Cam

5.2.6 Upgrade Swivel Unit

5.2.7 Alignment Tool for AVT

5.2.8 Maintenance Set for AVT Bearing

6 Accessories

6.1 FORTRON-Substitute-Controller

6.2 Diagnosis System with Valve Monitoring

2 Paint Supply and Spraying Technology

2.1 Paint Supply

2.1.1 Pressure Pot

2.1.2 Paint Filter and Accessories

2.1.3 Paint Hoses

2.1.4 Fluid Pressure Regulators

2.1.4.1 Sprimag Fluid Pressure Regulators

2.1.4.2 Sets of Wear Parts for Sprimag Fluid Pressure Regulators

2.1.4.3 Single Components and Accessoires for Sprimag Fluid Pressure Regulators

2.1.4.4 Tools for Sprimag Pressure Regulators

2.1.4.5 Conversion Set for a Third-Party-Regulator into a Sprimag Fluid Pressure Regulator

2.1.4.6 Fluid Pressure Regulators - Third-party Products

2.1.5 Pumps

2.1.6 Paint Fluid Heater

2.1.7 Stand-Alone Paint Supply with circulation and Paint Heater

2.2 Spraying Technology

2.2.1 Spray Guns and Accessories

2.2.1.1 Airless Spray Guns

2.2.1.2 Spare Parts, Nozzle Sets

2.2.1.3 Internal Spray Gun S-233

2.2.1.4 Spare Parts for Internal Spray Gun S-233

2.2.1.5 Nozzle Extension Sets for Internal Spray Gun S-233

2.2.1.6 Centrifugal Gun S-520

2.2.1.7 Nozzles and Spare Parts for Centrifugal Gun S-520

2.2.1.8 Assembling Tool for Centrifugal Gun Head S-520

2.2.1.9 Centrifugal Gun S-540

2.2.1.10 Nozzle sets (nozzle needle + paint tube) for S-540

2.2.1.11 Centrifugal nozzles for S-540

2.1 Paint Supply

2.1.1 Pressure Pot

Part No.	Volume	Description
51101436	48 l	paint pressure pot mod. 48 on wheels
53103074	24 l	paint pressure pot mod. 24, TGA version, on wheels
53110794	48 l	paint pressure pot mod. 48, TGA version, on wheels, including insert for pressure pot
53121842	48 l	paint pressure pot mod. 48, TGA version, on wheels, without insert for pressure pot

2.1.2 Paint Filter and Accessories



Part No.	Type / mesh size	Description
52158506	body	stainless steel, 3/8" BSPT, connection thread
52160321	60 µm	filter screen 240 mesh
51200371	90 µm	filter screen 165 mesh
51200372	140 µm	filter screen 100 mesh
51200373	190 µm	filter screen 80 mesh
51200374	240 µm	filter screen 60 mesh
51200375	320 µm	filter screen 50 mesh
52158509	gasket	PTFE-gasket D42,8/D35/S6
51200377	spring	compression spring
52157529	centering	spring centering cone

2.1.3 Paint Hoses

Part No.	Dimensions	Description
51103071	nominal 19, L = 2,5m	paint hose with pivot joint connection M26x1,5
50041599	D 8 - d 6	plastic hose PA-12W clear/transparent
50145742	D 16 - d 9	EPDM paint hose
51093904	nominal 6 - 350 long	high pressure paint hose HIL-15 350 long - 2x ½"BSPT
51093903	nominal 6 - 450 long	high pressure paint hose HIL-15 450 long - 2x ½"BSPT
51093902	nominal 6 - 1100 long	high pressure paint hose HIL-15 1100 long - 2x ½" BSPT
51093900	nominal 6 - 850 long	high pressure paint hose HIL-34 850 long - 2x ½" BSPT
51093901	nominal 6 - 1550 long	high pressure paint hose HIL-34 1550 long - 2x ½" BSPT
51104051	nominal 6 - 1000 long	high pressure paint hose 1000 long - 2x ½" BSPT
51103547	nominal 6 - 1060 long	high pressure paint hose 1060 long - 2x ½" BSPT
51103587	nominal 6 - 1320 long	high pressure paint hose 1320 long - 2x ½" BSPT
51094838	D 6 - d 4	plastic hose FEP 6X1
51201249	D 8 - d 4	plastic hose FEP 4X8
51201248	D 8 - d 5	plastic hose FEP 5x8
51094839	D 8 - d 6	plastic hose FEP 8X1
51099851	D 10 - d 6	plastic hose FEP 10x2
51091589	D 10 - d 8	plastic hose FEP 10x1
51099654	D 12 - d 8	plastic hose FEP 12x2
51094840	D 12 - d 9	plastic hose FEP 12X9

all dimensions in mm

2.1.4 Fluid Pressure Regulators

2.1.4.1 Sprimag Fluid Pressure Regulators

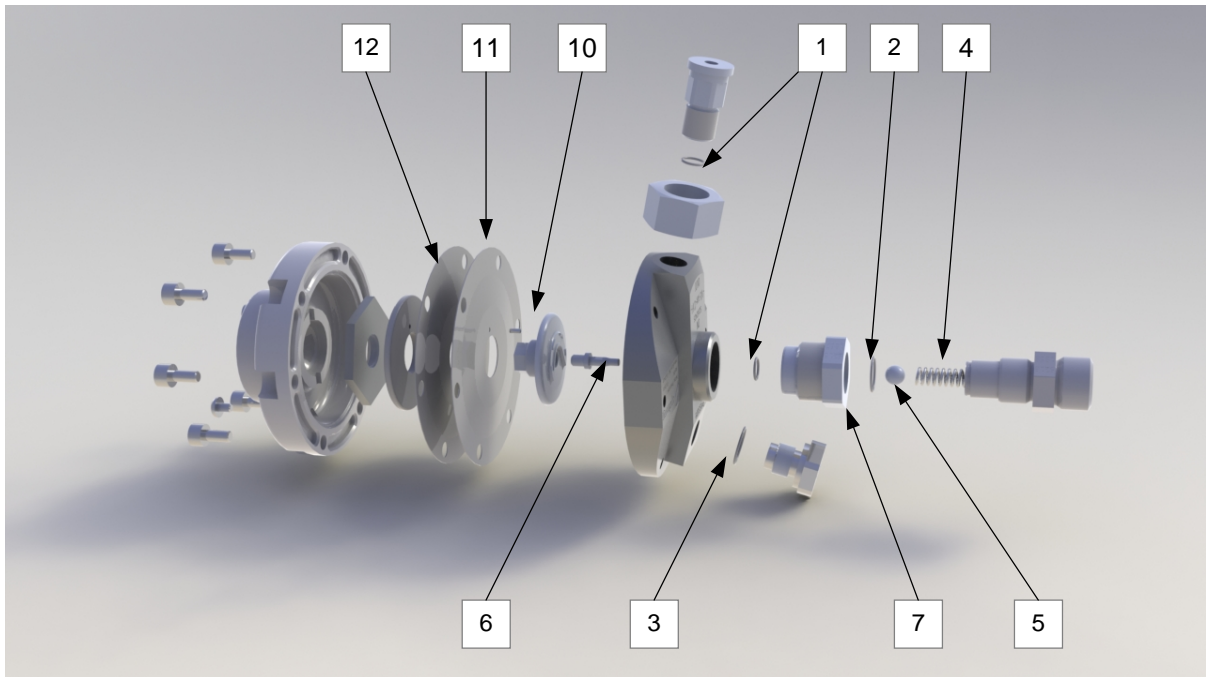


Part No.	Item	Description
52161859	fluid pressure regulator	Teflon coated
52162423	fluid pressure regulator	Non-Teflon coated
52161869	fluid back pressure regulator	Teflon coated
52162424	fluid back pressure regulator	Non-Teflon coated

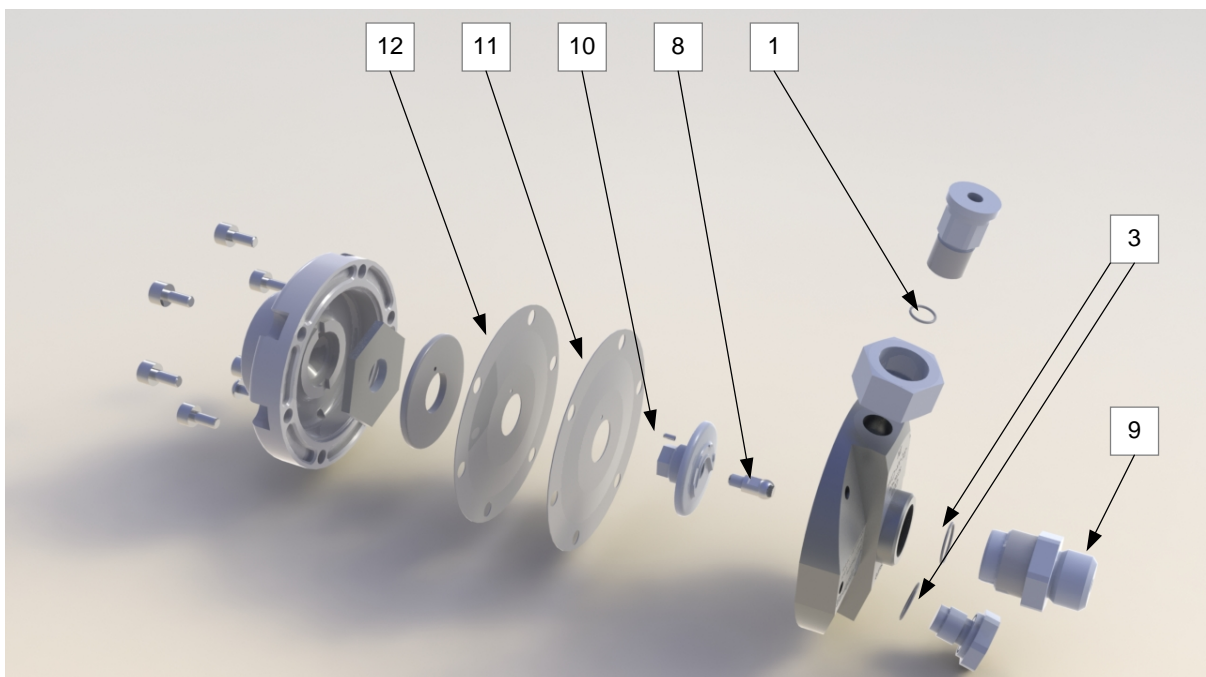
2.1.4.2 Sets of Wear Parts for Sprimag Fluid Pressure Regulators

Part No.	Item	Description
52162451	Start-equipment-kit VL	<p>Start-equipment-kit for fluid pressure regulator consisting of:</p> <p>52161865 rod type A 52161867 seal seat housing 51202965 valve ball D8 51203233 spring sealing seat 51202958 index pin 2m6x4 51202128 O-Ring 8X1 PTFE 51095241 O-Ring 13X1 PTFE 51202129 O-Ring 15X1 PTFE 51202956 diaphragm 51202966 Support disc 51203237 Small open end wrench SW 3,2</p>
52162452	Start-equipment-kit RL	<p>Start-equipment-kit for fluid back pressure regulator consisting of:</p> <p>52161872 rod type B 52161871 seal seat for back pressure regulator 51202958 index pin 2m6x4 51202128 O-Ring 8X1 PTFE 51202129 O-Ring 15X1 PTFE - 2x 51202956 diaphragm 51202966 support disc 51203238 small open end wrench SW 5</p>
52162434	Diaphragm set	<p>Diaphragm set for fluid pressure regulator and back pressure regulator, consisting of:</p> <p>51202956 diaphragm 51202966 support disc</p>

2.1.4.3 Single Components and Accessoires for Sprimag Fluid Pressure Regulators



pressure regulator



back pressure regulator

Position	Part No.	Item
1	51202128	O-Ring 8X1 PTFE
2	51095241	O-Ring 13X1 PTFE
3	51202129	O-Ring 15X1 PTFE
4	51203233	spring sealing seat
5	51202965	valve ball D8
6	52161865	rod type A
7	52161867	seal seat housing
8	52161872	rod type B
9	52161871	seal seat for back pressure regulator
10	51202958	index pin 2m6x4
11	51202956	diaphragm
12	51202966	support disc

2.1.4.4 Tools for Sprimag Pressure Regulators

Part No.	Item
51203237	open-end wrench 3,2 mm for fluid pressure regulator
51203238	open-end wrench 5 mm for fluid back pressure regulator
51068167	Loctite 511 thread sealant

2.1.4.5 Conversion Set for a Third-Party-Regulator into a Sprimag Fluid Pressure Regulator

Part No.	Item	Description
53127581	VL conversion set 4 bar, non-Teflon coated	<p>The conversion set allows to convert from a third-party manually adjustable pressure regulator to a pneumatically adjustable Sprimag pressure regulator.</p> <p>It is consisting of: Sprimag Fluid Pressure Regulator, compressed-air-regulator, pressure gauge, fixture, and all connection fittings</p>
53121855	RL conversion set 4 bar, non-Teflon coated	<p>The conversion set allows to convert from a third-party manually adjustable back pressure regulator to a pneumatically adjustable Sprimag back pressure regulator.</p> <p>It is consisting of: Sprimag Fluid Back Pressure Regulator, compressed-air-regulator, pressure gauge, fixture, and all connection fittings</p>

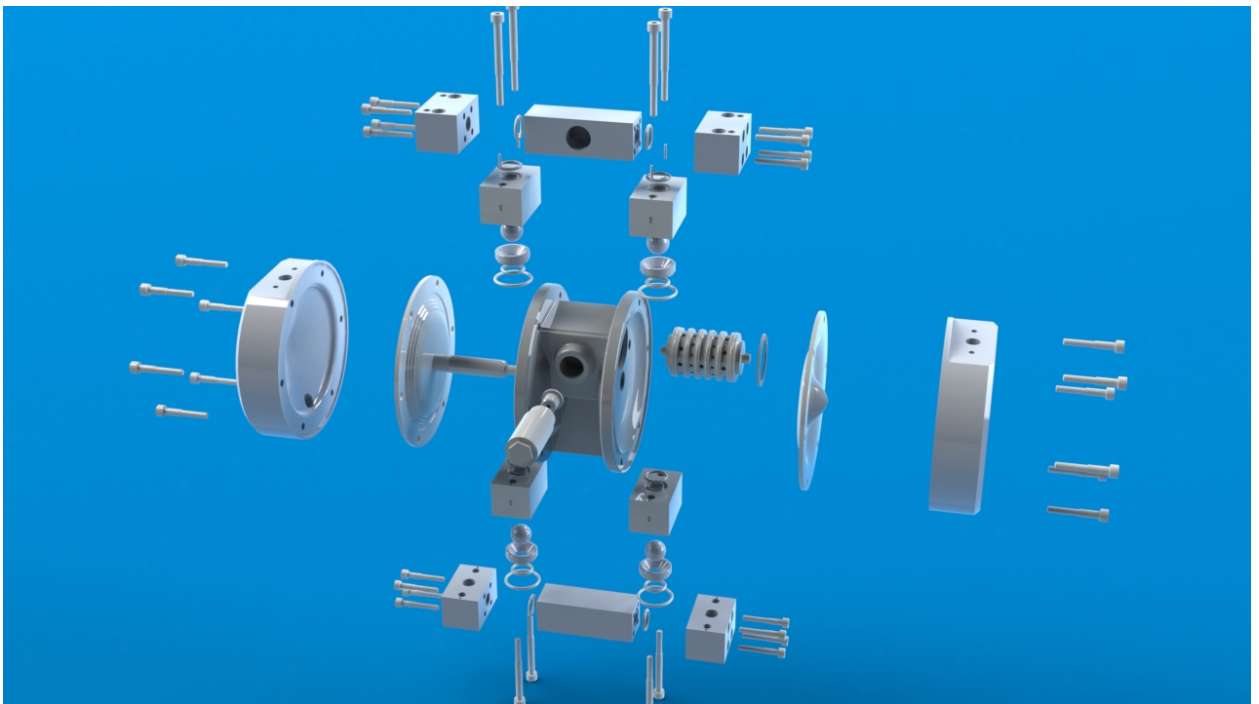
2.1.4.6 Fluid Pressure Regulators - Third-party Products

Part No.	Item	Description
51067688	fluid pressure regulator	GRACO-fluid pressure regulator 204-501, control range 0 - 11 bar, without pressure gauge
51061370	fluid pressure regulator	GRACO-fluid pressure regulator 214-895, control range 0,3-7 bar, G3/8" BSPT, stainless, without pressure gauge
51060901	fluid back pressure regulator	GRACO- back pressure regulator 205-122, control range 0-7 bar, G3/8" BSPT without pressure gauge
50034339	pressure gauge	pressure gauge for 51067688, 51061370, 0-6 bar, D63, G1/4" BSPT
51063308	repair kit	repair kit for fluid pressure regulator 51067688
51066757	repair kit	repair kit for fluid pressure regulator 51061370
51090034	repair kit	repair kit for fluid back pressure regulator 51060901

2.1.5 Pumps



Sprimag pump MP-SP2



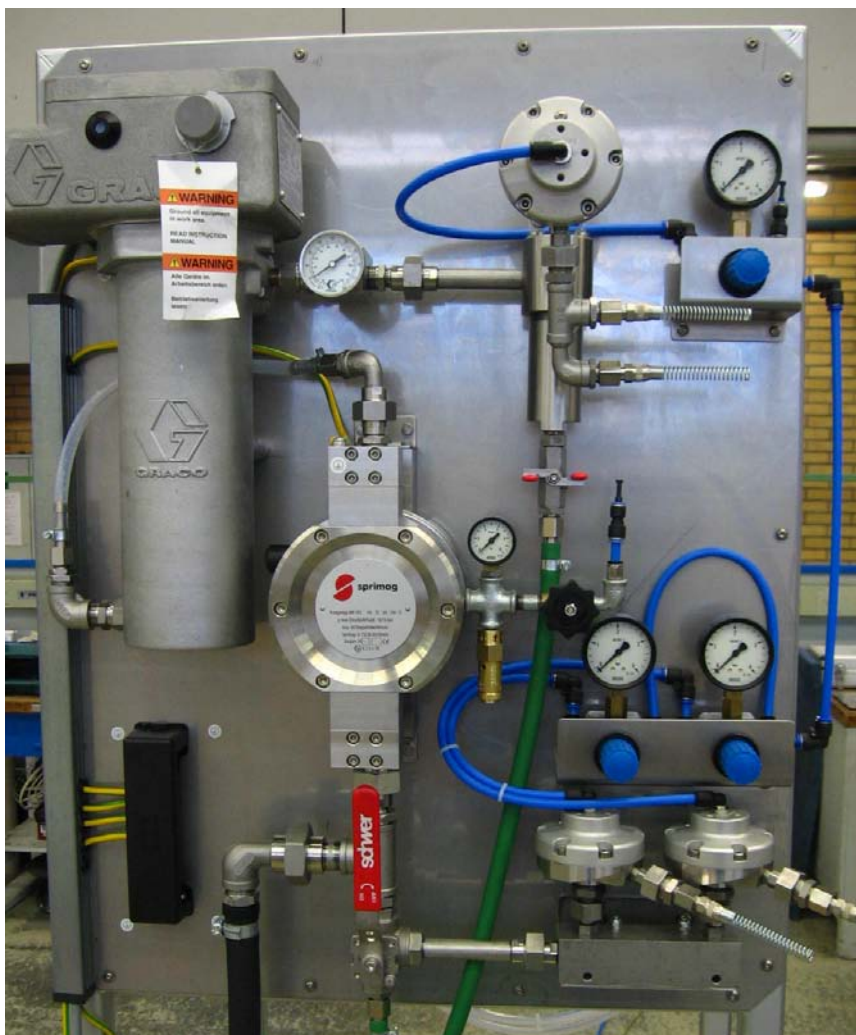
Part No.	Item	Description
52158399	Sprimag diaphragm pump	MP-SP2 VA-TE-VA-TE-E (Teflon coated)
52159413	Sprimag diaphragm pump	MP-SP2 VA-TE-VA-OH-E (Non-Teflon coated)
52159404	set of spare parts MP-SP2	set of wear parts 
53121847	retrofit kit for Sprimag pump	single parts not installed, without pump
53121857	retrofit kit with pump MP-SP2-OH	preassembled at Sprimag, with pump Non-Teflon coated
52159410	control valve	for diaphragm pump MP-SP2
51063300	double diaphragm pump Triton 308	$i = 1 : 1$, $p_{max} = 8 \text{ bar}$, $Q_{max} = 31 \text{ L/min}$
51063056	diaphragm repair set	for pump 51063300
51090586	air valve repair set	for pump 51063300
51090587	ball valve repair set	for pump 51063300
51090588	shaft repair set	for pump 51063300

2.1.6 Paint Fluid Heater

Part No.	Item	Description
51102946	fluid heater	2,3 kW, 120 VAC, 50-60Hz, 29-104°C, class I Div 1
51064004	fluid heater	2,5 kW, 110 V, 60 Hz, 18-100°C, EEX IIB
51101422	fluid heater	3,5 kW, 220-240 V, 50/60 Hz, EEX DE IIB
51099120	fluid heater	4 kW, 380-400 V, 50/60 Hz, 29-104°C, EEX DE IIB
51200285	fluid heater	4 kW, 480 V, 50/60 Hz, 29-104°C, ATEX II 2G
51200463	fluid heater	4 kW, 400 V, 50/60 Hz, 29-104°C, ATEX II 2G

2.1.7 Stand-Alone Paint Supply with circulation and Paint Heater

Part No.	Description
63200989	Paint supply circulation with 1 pressure regulator and 1 back pressure regulator
63200934	Paint supply circulation with 2 pressure regulators and 2 back pressure regulators
53128623	Paint supply circulation with 3 pressure regulators and 3 back pressure regulators
53110772	Hose leakage monitoring



2.2 Spraying Technology

2.2.1 Spray Guns and Accessories

2.2.1.1 Airless Spray Guns

Part No.	Description
51100903	airless spray gun A-7-A
51103048	airless spray gun EX MEG II-GUN

2.2.1.2 Spare Parts, Nozzle Sets

Part No.	Application	Description
51093363	cans	nozzle airless container

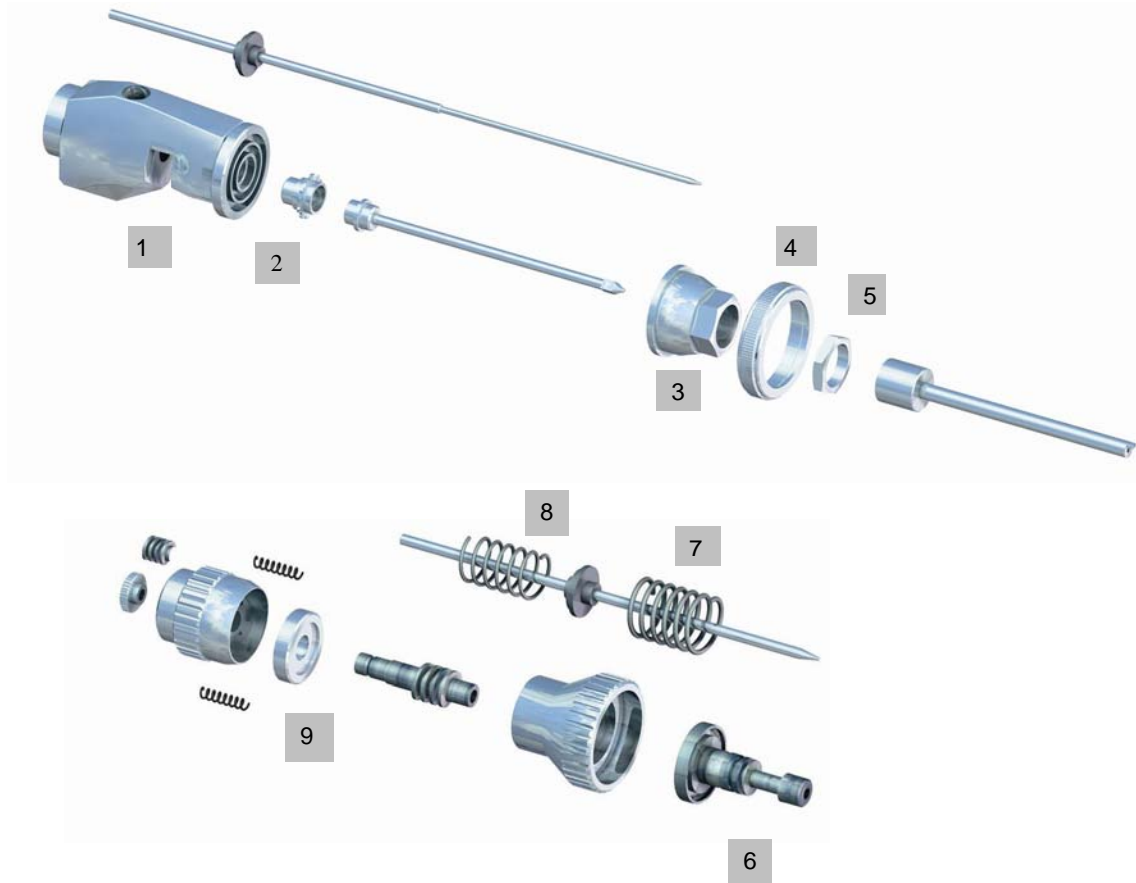
2.2.1.3 Internal Spray Gun S-233



The body of the internal spray gun S-233 with nozzle extension is the same as the conventional spray gun S-233. The nozzle extension is used for the internal coating of items such as collapsible tubes or cans. The high-pressure technology used by all S-233 type spray guns allows the finest atomization. Internal coating of hollow bodies is carried out by rotating the object and vertically stroking the machine spray gun whilst spraying the inside through the extension.

Part No.	Description
52330032	Internal spray gun S-233/standard
52331005	Internal spray gun S-233-2 C/90G-A for quick release coupling

2.2.1.4 Spare Parts for Internal Spray Gun S-233



Position	Part No.	Description
1	52330016	body
2	50308455	connection
3	50835226	head
4	50835188	ring
5	50835234	lock nut
6	50486205	piston
7	50044601	spring D22
8	50044628	spring D18
9	50309036	tooth disc

all dimensions in mm

2.2.1.5 Nozzle Extension Sets for Internal Spray Gun S-233



Nozzle bores in mm

0,3	0,5	0,8	1,0	1,5	2,0
-----	-----	-----	-----	-----	-----

When ordering always mention spray gun version, nozzle extension length L, diameter D and nozzle bore d. Standard versions and lengths available on request.

Example of order:

Version: S-07-A

Length L: 200

Diameter D: 7

Nozzle bore d: 1,0

A List with Standard Nozzle Extension Sets with Part No. is on the next page

Standard Nozzle Extensions Diameter D7 ex storehouse:

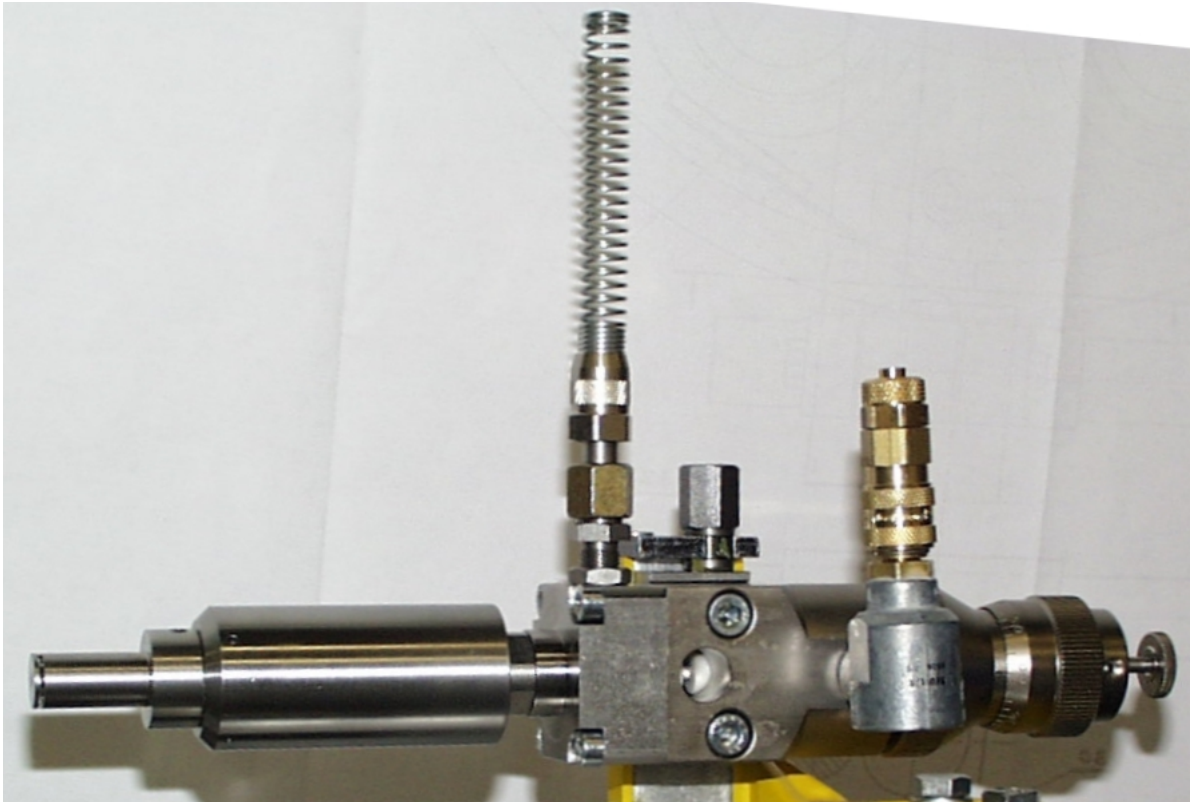
model	reinf.	length in mm	Nozzle Diameter in mm			
			0,5	0,8	1,0	1,5
A			45° standard version			
		150	50315818	50315826	50315834	50315850
		200	50315869	50315877	50315885	50315907
		250	50315176	50315915	50315923	50315940
		300	50859036	50862274	50320684	50321060
	X	350	63203174	52332319	52332326	63203175
AD			45° standard version with enlarged nozzle bore			
		200	50315958	50315966	50315974	
		250	50315982	50315990	50316008	
		300	50862517	50862525	50727210	
		350	63203182	52028719	53105415	
	X	350	50862576	50862592	50466131	
B			45° with 2 side air boreholes			
		200	52107202	52107204	52107206	50747122
		250	52107208	52107210	50862452	50747123
		300	63203176	50862461	63203177	63203178
		350	63203179	63203180	52332109	63203181
G			spraying straight ahead with 8 side air boreholes			
		200	50307963	50485381	50801739	50353760
	X	200	50863750	50863378	63203187	63203189
		250	50316016	50475297	50784656	50805424
	X	250	50727130	63203184	63203186	63203190
		300	50859028	53109684	50320685	50784940
	X	300	50708186	50708187	63203188	63203191
N			spraying straight ahead without side air boreholes			
		150	52006553	53105498	50890219	63203193
		200	52107238	50485403	52107240	63203194
		250	63203192	52331268	52102691	50863629

X = reinforced version

Standard Nozzle Extensions Diameter D10 ex storehouse:

model	length in mm	Nozzle Diameter in mm			
		0,5	0,8	1,0	1,5
A	45° standard version				
	150	50316121	50316130	50316148	50316164
	200	50316180	50316199	50316202	50316229
	250	50316245	50316253	50316261	50316288
	300	50316300	50316318	50316326	50316342
	350	50876534	50876542	50876550	50307998
AD	45° standard version with enlarged nozzle bore				
	200	63203135	52107271	52107273	50316598
	250	63203136	50316601	50316610	50316059
	300	63203137	52107269	50319511	52107279
	350	63203138	50859117	50320986	50876837
B	45° with 2 side air boreholes				
	200	52331136	52107251	50721603	52107253
	250	53114790	52107255	52107257	50721581
	300	63203139	52107259	52107261	52106820
	350	63203140	63203242	52331135	50721583
G	spraying straight ahead with 8 side air boreholes				
	200	50848226	52107283	52107285	50848220
	250	52062771	52033984	52089319	52107287
	300	52107481	52331253	52331244	52331254
	350	63203141	63203142	53116219	52332317
N	spraying straight ahead without side air boreholes				
	150	63203144	52110468	50308056	50867390
	200	63203145	52089009	52102685	50805386
	250	52331357	63203147	50885304	50319660
	300	63203146	63203148	52331240	52331370
	350	53104014	63203149	63203150	53105449

2.2.1.6 Centrifugal Gun S-520



Part No.	Description
52332505	centrifugal gun S-520

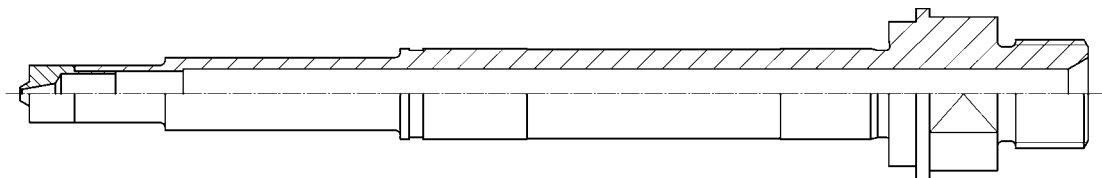
2.2.1.7 Nozzles and Spare Parts for Centrifugal Gun S-520



centrifugal nozzle



centrifugal head



nozzle tube

Spare parts for tubes diameter D= 19 – 60 mm

Part No.	Description	Use
53103363	centrifugal nozzle D 12	Tube diameter 19 – 25
53102507	centrifugal nozzle D 16	Tube diameter 22 – 30
53102506	centrifugal nozzle D 20	Tube diameter 28 – 40
52500023	centrifugal nozzle D 25	Tube diameter 35 – 55
53107519	centrifugal nozzle D 30	Tube diameter 40 – 60
52333533	nozzle tube 0,5	
52110476	nozzle tube 0,8	
52110466	nozzle tube 1,0	
50314132	nozzle tube 2,0	
52500072	nozzle needle 0,5	
52500070	nozzle needle 0,8	

52500071	nozzle needle 1,0	
52500067	nozzle needle 2,0	
52332011	centrifugal head 0,5	
52332008	centrifugal head 0,8	
52332006	centrifugal head 1,0	
52332054	centrifugal head 2,0	

Dimensions in mm

spare parts for tubes diameter D= 9 – 19 mm:

Part No.	Description	Use
52500018	centrifugal nozzle D 6	Tube diameter 9 – 12
53105462	centrifugal nozzle D 7,5	Tube diameter 9 – 15
52500031	centrifugal nozzle D 9	Tube diameter 12 – 19
52110489	nozzle tube 0,5	
52110487	nozzle tube 0,8	
52500072	nozzle needle 0,5	
52500070	nozzle needle 0,8	
52332009	centrifugal head 0,5	
52332007	centrifugal head 0,8	

Dimensions in mm

spare parts for tubes diameter D= 9 – 19 mm extended version +7,5 mm:

Part No.	Description	Use
53104099	centrifugal nozzle D 6	Tube diameter 9 – 12
53114823	centrifugal nozzle D 9	Tube diameter 13 – 19
53105401	nozzle tube 0,8	
52500074	nozzle needle 0,8	
52332051	centrifugal head 0,8	

Dimensions in mm

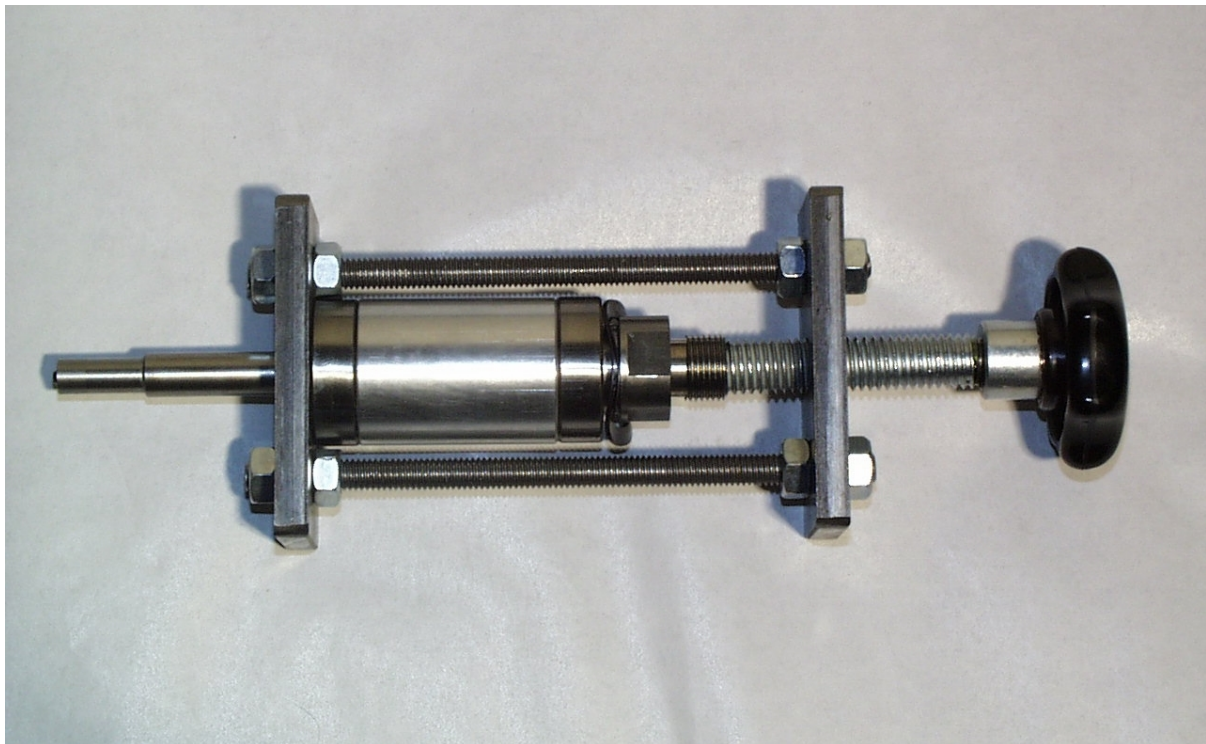
spare parts for tubes diameter D= 9 – 19 mm extended version +12 mm:

Part No.	Description	Use
53104039	centrifugal nozzle D 6,5	Tube diameter 9 – 15
52334103	centrifugal nozzle D 9	Tube diameter 13 – 19
52334102	centrifugal nozzle D 12	Tube diameter 19 – 25
52334104	centrifugal nozzle D 20	Tube diameter 28 – 40
52334101	centrifugal nozzle D 25	Tube diameter 35 – 55
52334105	centrifugal nozzle D 30	Tube diameter 40 – 60
52332086	nozzle tube 0,5	
53104036	nozzle tube 0,8	
52500069	nozzle needle 0,5	
52500068	nozzle needle 0,8	
52332053	centrifugal head 0,5	
52332052	centrifugal head 0,8	

Dimensions in mm

2.2.1.8 Assembling Tool for Centrifugal Gun Head S-520

Part No.	Description
52510630	assembling aid for centrifugal gun head S-520
52116056	assembling tool for centrifugal gun head S-520
52510628	assembly ring for centrifugal gun head S-520
52510629	assembly pipe for centrifugal gun head S-520
52510626	assembly sleeve for centrifugal gun head S-520



Assembling aid for centrifugal gun head S-520

2.2.1.9 Centrifugal Gun S-540



centrifugal gun S-540

Part No.	Description
52335400	centrifugal gun S-540

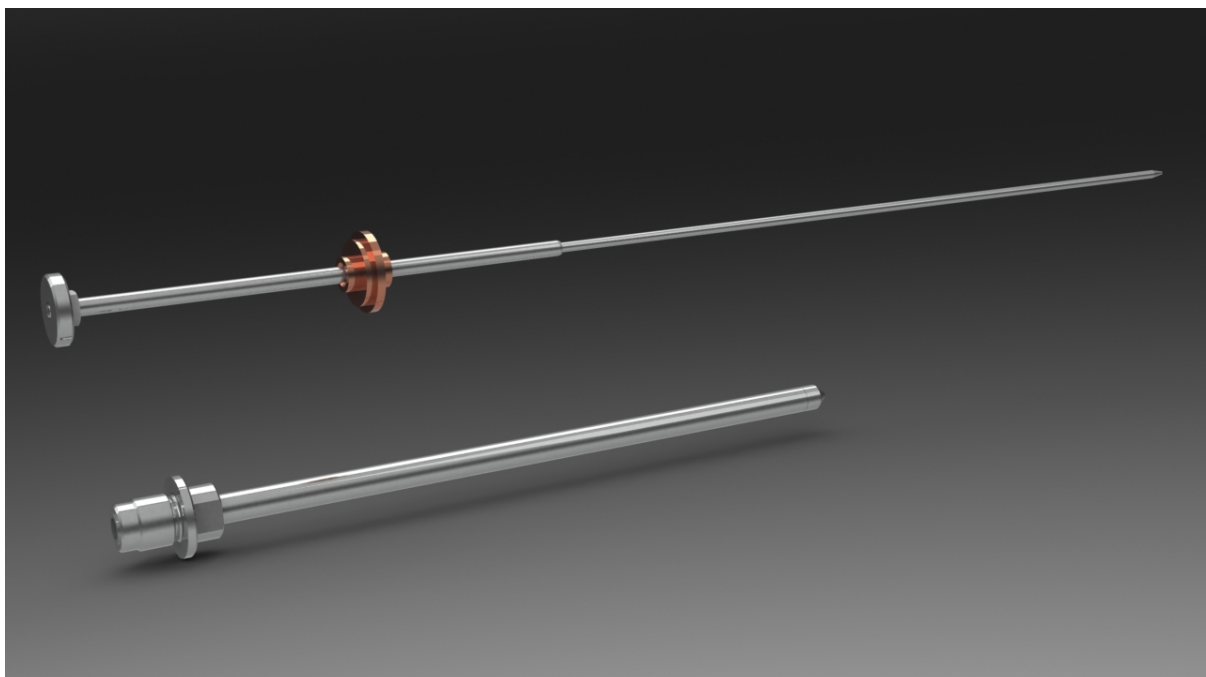
all dimensions in mm

2.2.1.10 Nozzle sets (nozzle needle + paint tube) for S-540

Part No.	Description	For Substrate - Tube Ø
52335444	S-540 0,5 small tubes	9-19 mm
52335407	S-540 0,8 small tubes	9-19 mm
52335445	S-540 1,0 small tubes	9-19 mm
52335442	S-540 0,5 large tubes	19-60 mm
52335443	S-540 0,8 large tubes	19-60 mm
52335406	S-540 1,0 large tubes	19-60 mm

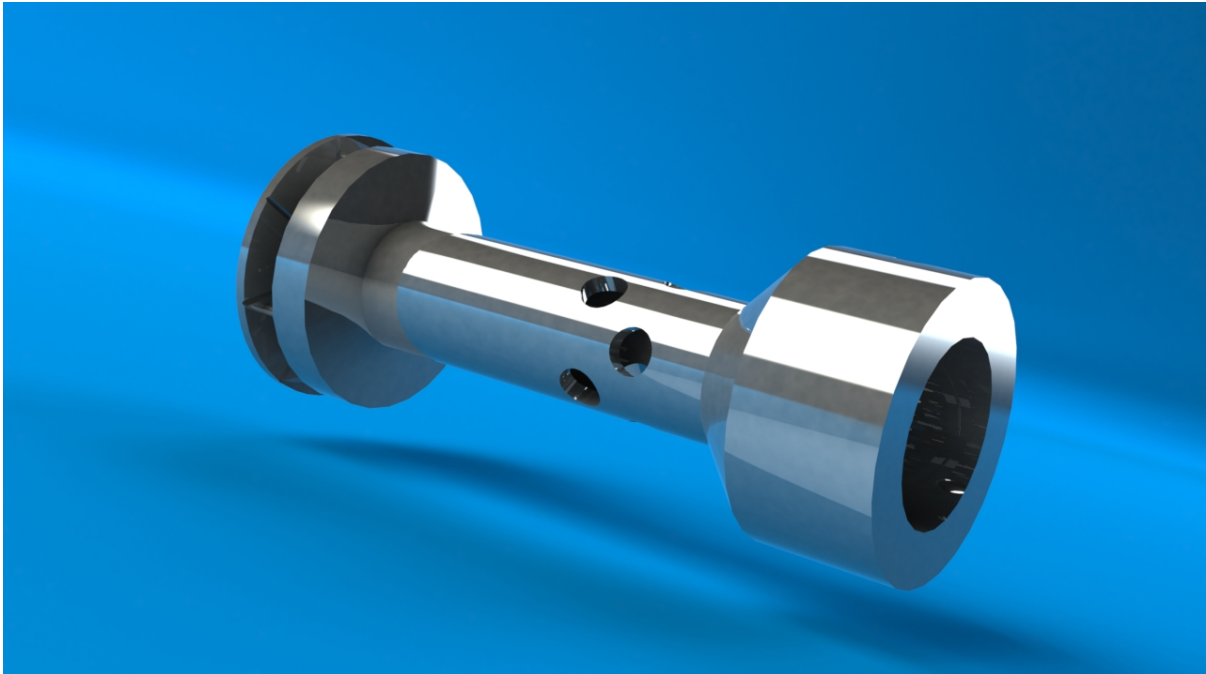
all dimensions in mm

Special constructions on request



Nozzle set

2.2.1.11 Centrifugal nozzles for S-540



centrifugal nozzle

Part No.	Description	For Substrate - Tube Ø
52335450	S-540 6 slots	9-15 mm
52335451	S-540 9 slots	13-19 mm
52335452	S-540 12 slots	19-25 mm
52335479	S-540 14 slots	19-25 mm
52335458	S-540 16 slots	22-30 mm
52335459	S-540 20 slots	28-40 mm
52335476	S-540 25 slots	35-55 mm
52335477	S-540 30 slots	40-60 mm

all dimensions in mm

3 General Spare Parts

3.1 Solvent Resistant Air Hoses

3.1 Solvent Resistant Air Hoses

Part No.	Dimensions	Description
51202725	D 4 / d 2,5	PE-LD black
51202726	D 4 / d 2,5	PE-LD nature
51202727	D 4 / d 2,5	PE-LD blue
51102951	D 6 / d 4	PE-LD red
51102953	D 6 / d 4	PE-LD green
51201608	D 6 / d 4	PE-LD black
51202728	D 6 / d 4	PE-LD blue
51099980	D 8 / d 6	PE-LD green
51102952	D 8 / d 6	PE-LD blue
51102971	D 10 / d 7	PE-LD blue

all dimensions in mm

4 Machine-specific Spare Parts

4.1 HIL (Horizontal Internal Coating Machine)

4.1.1 HIL-02

- 4.1.1.1 Retrofit Kit HIL-02 for 2 Spray Guns S-233, HIL-02-P for 1 Spray Gun S-233
- 4.1.1.2 Retrofit Kit HIL-02 for 3rd Spray Gun
- 4.1.1.3 Retrofit Kits for HIL-02
- 4.1.1.4 Wear Parts Brake Assembly

4.1.2 HIL-06/08

- 4.1.2.1 Retrofit Kit HIL-06/08 for 4 Spray Guns S-233 (Chain Position Modified)
- 4.1.2.2 Retrofit Kit HIL-06/08 for 4 Spray Guns S-233 (Chain Position not Modified)
- 4.1.2.3 Retrofit Kit HIL-06/08 for 6 Spray Guns S-233
- 4.1.2.4 Retrofit Kits for HIL-06/08

4.1.3 HIL-16

- 4.1.3.1 Spindle for Chain
- 4.1.3.2 Retrofit Kit HIL-16 for 6 Spray Guns S-233

4.1.4 HIL-17

- 4.1.4.1 Retrofit Kit HIL-17 for 6 Spray Guns S-233

4.1.5 HIL-19/20

- 4.1.5.1 Retrofit Kit HIL-19/20 for 6 Spray Guns S-233

4.1.6 HIL-26/28

- 4.1.6.1 Retrofit Kit HIL-26/28 for 6 Spray Guns S-233
- 4.1.6.2 Cleaning Device for Spray Guns, Pneumatic Rotary Drive
- 4.1.6.3 Cleaning Device for Spray Guns, Pneumatic Cylinder
- 4.1.6.4 Retrofit kit brake and clutch HIL-26/28

4.1.7 HIL-31/32

- 4.1.7.1 Retrofit Kit HIL-31/32 for 4 Spray Guns S-233
- 4.1.7.2 Retrofit Kit HIL-31/32 for 6 Spray Guns S-233
- 4.1.7.3 Conversion Kit HIL 31 Drive for Ortlinghaus Coupling

4.1.8 HIL-34

4.1.9 HIL-40/42

4.1.9.1 Retrofit Kit for Reinforced Escapement if Spray Guns -Similar to HIL-64

4.1.9.2 Retrofit Kit Vacuum Disc Ejection Device

4.1.9.3 Chain Spindle

4.1.10 HIL-50/52

4.1.10.1 Retrofit Kit Vacuum Disc Ejection Device / Vacuum Transfer

4.1.10.2 Spindle for chain

4.1.11 HIL-64/66

4.1.11.1 Spindle for Chain

4.1.12 Spare parts for various HILs

4.1.12.1 Push-in Device

4.1.12.2 Ejection Device

4.1.12.3 Split Ring Gear

4.2 CIL

4.2.1 Retrofit Kit Vacuum Disc Ejection Device

4.3 TGO (Annealing Oven for Tubes) and TIT / DIT (Internal Drier for Tubes / Cans)

4.3.1 Chains

4.3.1.1 Conveying Chains for Drier up to 350 °C

4.3.1.2 Conveying Chains for Drier up to 600 °C

4.3.2 Sprockets

4.3.2.1 Sprockets for Conveyor Chains

4.3.3 Chain Lubrication for DIT, TIT and TGO

4.3.3.1 Conventional Chain Lubrication

4.3.3.2 Automated Chain Lubrication for chain with lubrication bores

4.3.3.3 Automated Chain Lubrication for conventional drier chains

4.3.3.4 Sprimag lubricating oil up to 300°C

4.3.4 Conveyor Baskets

4.3.5 Heating Radiator for Driers and Annealing Ovens

4.3.6 Worm Gears for Driers and Annealing Ovens

4.3.7 Retrofit Kits for Driers and Annealing Ovens

4.3.7.1 Retrofit Kit Sealings

4.3.7.2 Spare part for drive coupling 50697885 for TGO

4.3.7.3 Spare Part for drive coupling 50697885 for TIT

4.4 TGA-120

4.4.1 Replacement of S-148 with S-520

4.5 TGA-170

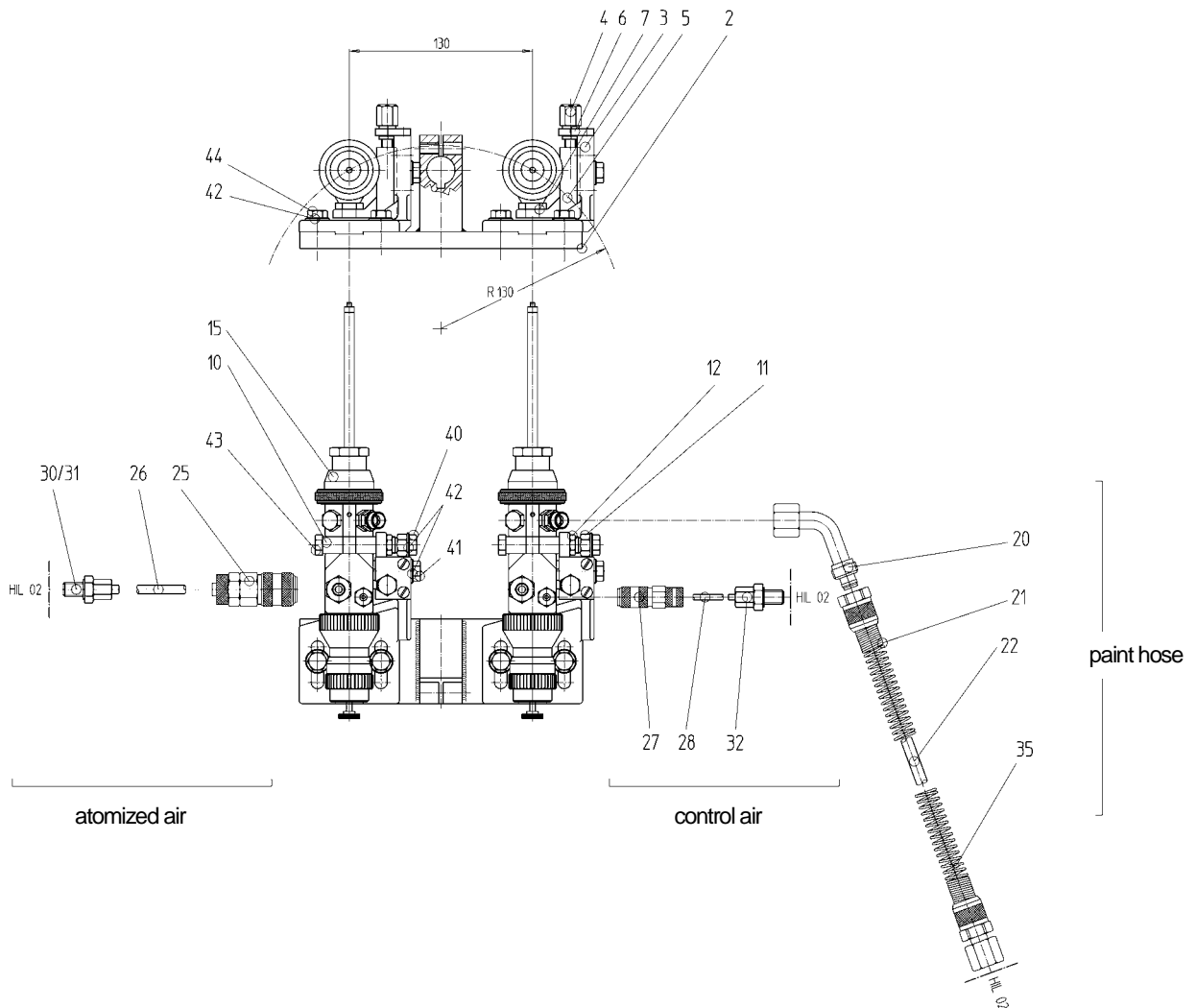
4.5.1 Replacement of S-520 with S-540

4.6 Retrofit Kits ILZ

4.1 HIL (Horizontal Internal Coating Machine)

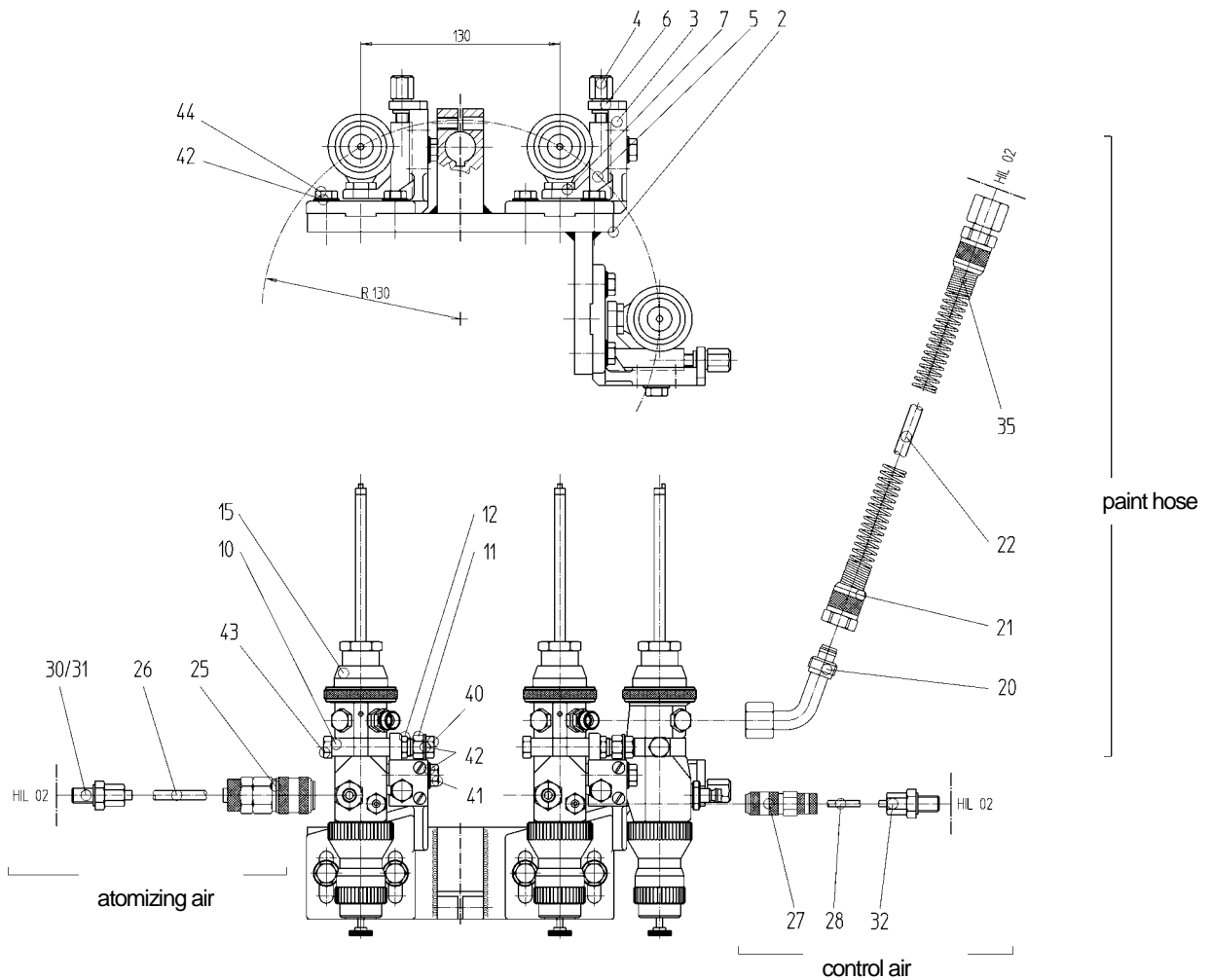
4.1.1 HIL-02

4.1.1.1 Retrofit Kit HIL-02 for 2 Spray Guns S-233, HIL-02-P for 1 Spray Gun S-233



Part No.	Item
53104078	retrofit kit HIL-02 for 2 spray guns S-233
53114784	retrofit kit HIL-02-P for 1 spray gun S-233

4.1.1.2 Retrofit Kit HIL-02 for 3rd Spray Gun



Part No.	Item
53104079	retrofit kit HIL-02 for 3 spray guns S-233

4.1.1.3 Retrofit Kits for HIL-02

Part No.	Item
52113776	retrofit kit for 3 spray stations with 3 x S-233 for HIL-02 stroke 375
52113774	retrofit kit for 3 spray stations with 3 x S-233 for HIL-02 stroke 350
52113777	retrofit kit for 3 spray stations with 3 x S-233 for HIL-02/25 stroke 290

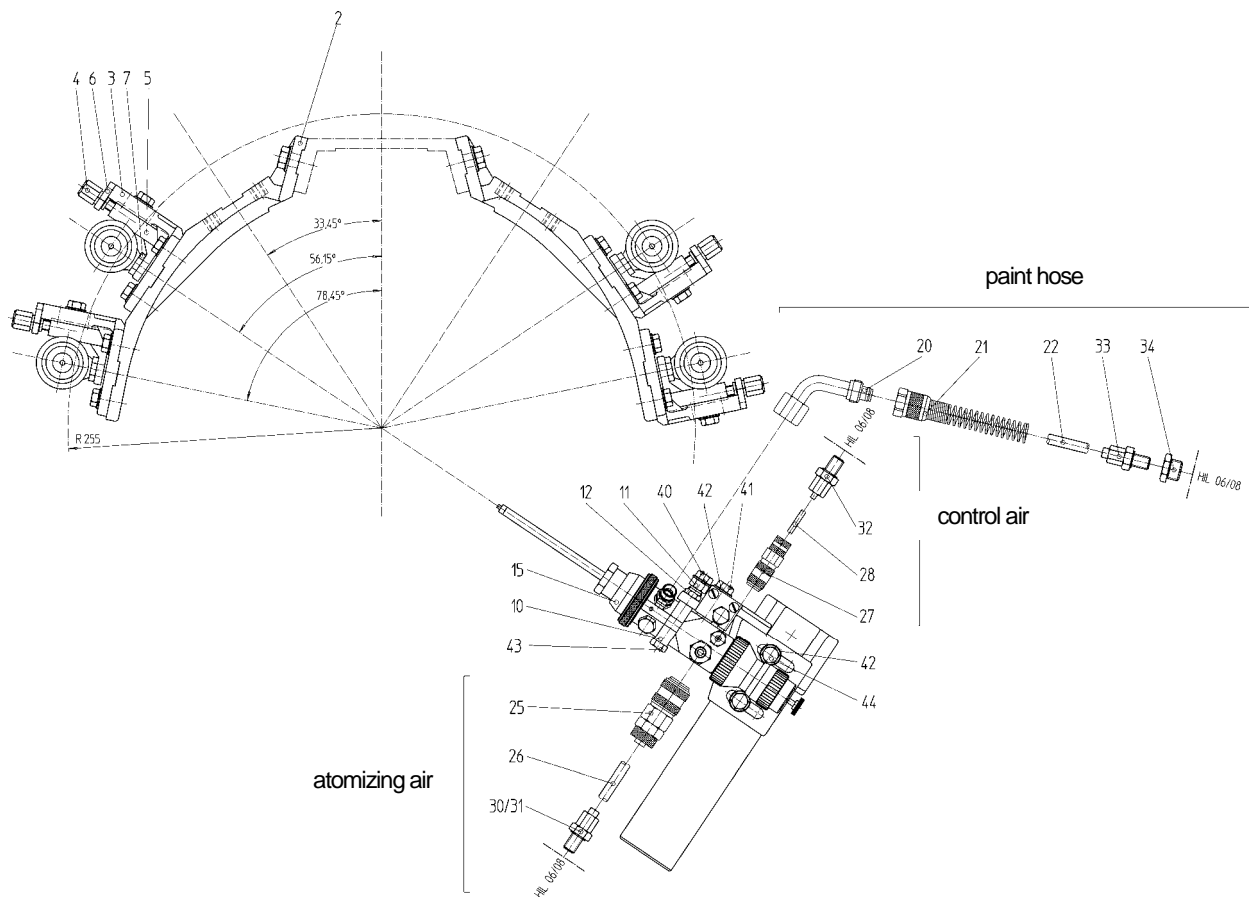
all dimensions in mm

4.1.1.4 Wear Parts Brake Assembly

Part No.	Item
50073822	set of O-rings
50132870	set of lamellas with O-rings

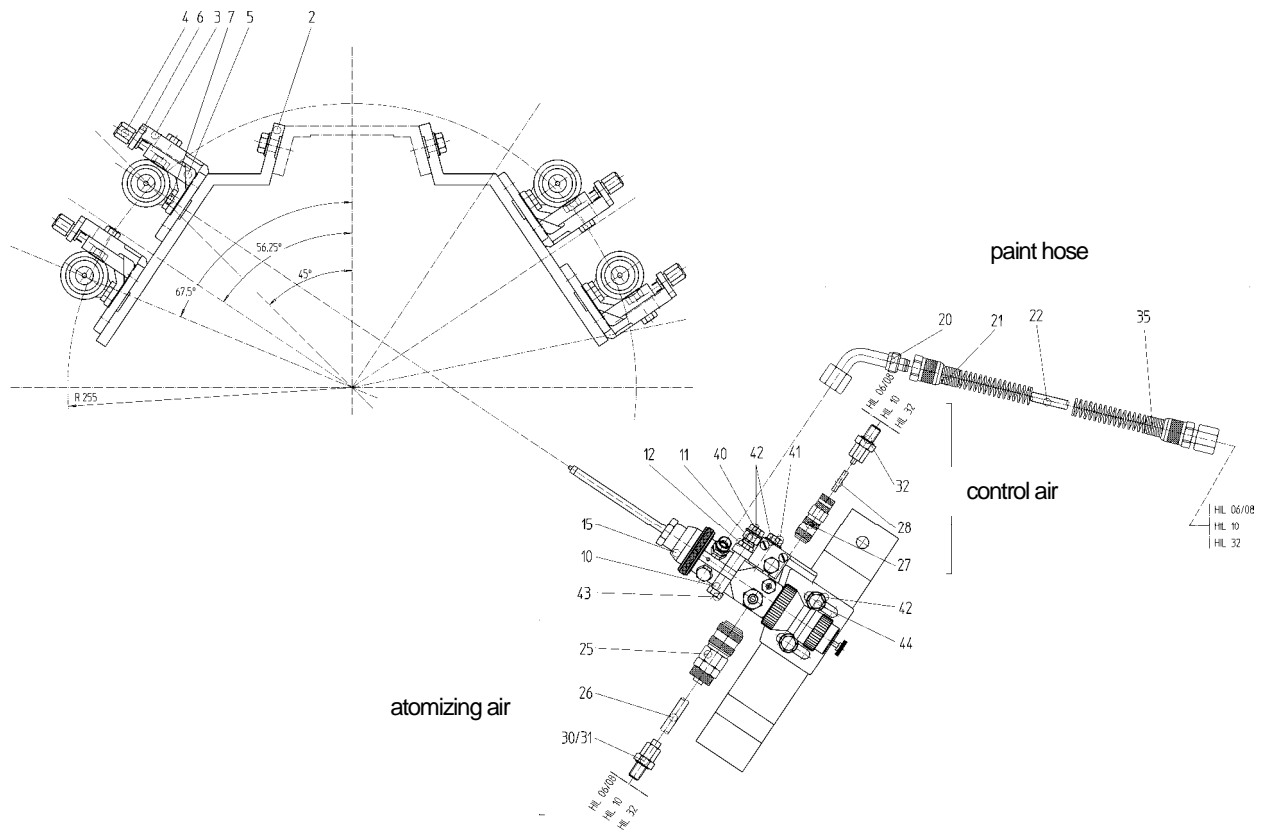
4.1.2 HIL-06/08

4.1.2.1 Retrofit Kit HIL-06/08 for 4 Spray Guns S-233 (Chain Position Modified)



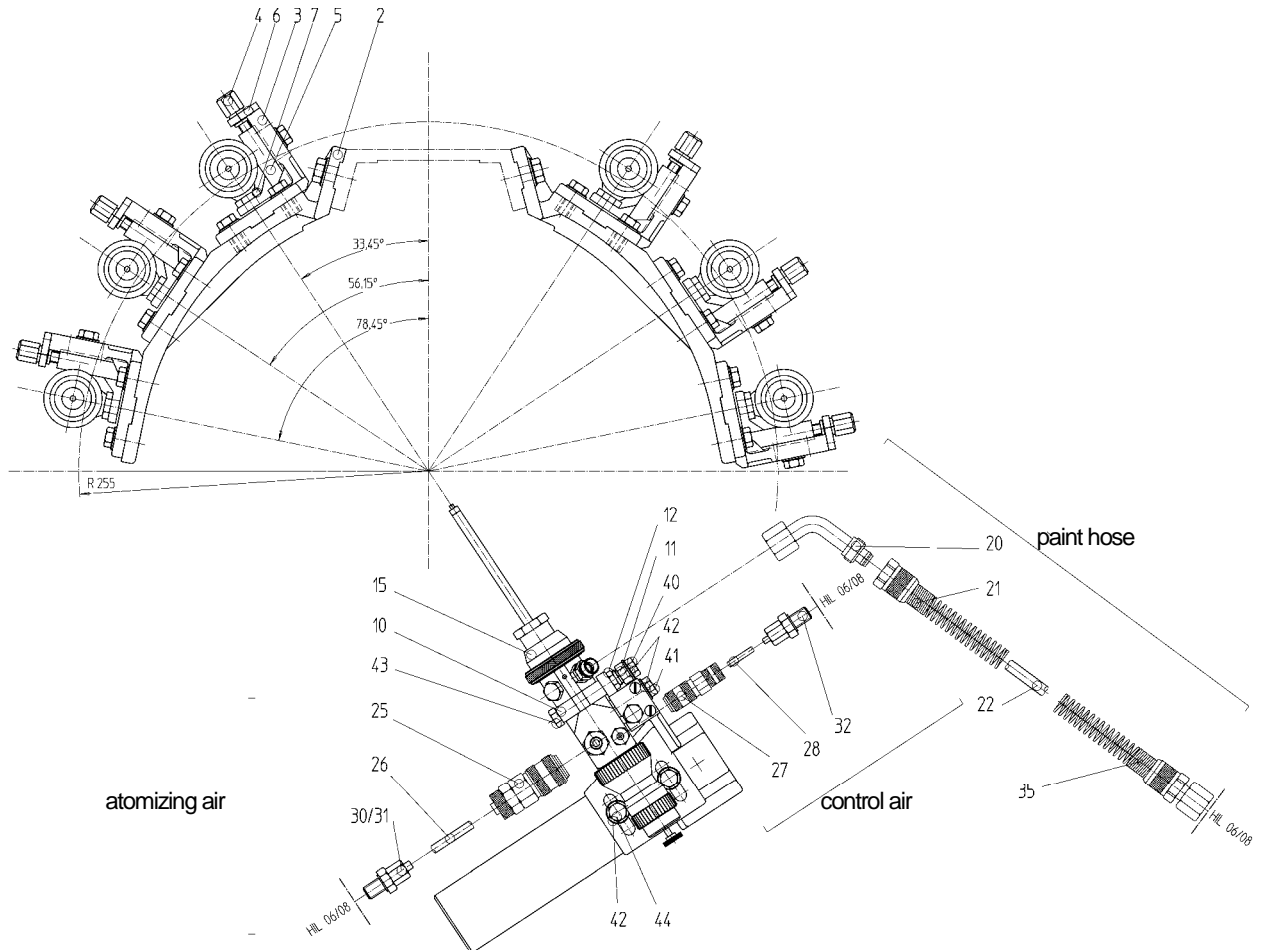
Part No.	Item
53104075	retrofit kit HIL-06/08 for 4 spray guns S-233 this kit can only be used if HIL is capable for the use of 6 spray guns (chain sprocket position has to be modified)

4.1.2.2 Retrofit Kit HIL-06/08 for 4 Spray Guns S-233 (Chain Position not Modified)



Part No.	Item
53105413	Retrofit kit HIL-06/08 for 4 spray guns S-233 Application if HIL is not prepared for the use of 6 spray guns (chain sprocket position not modified)

4.1.2.3 Retrofit Kit HIL-06/08 for 6 Spray Guns S-233



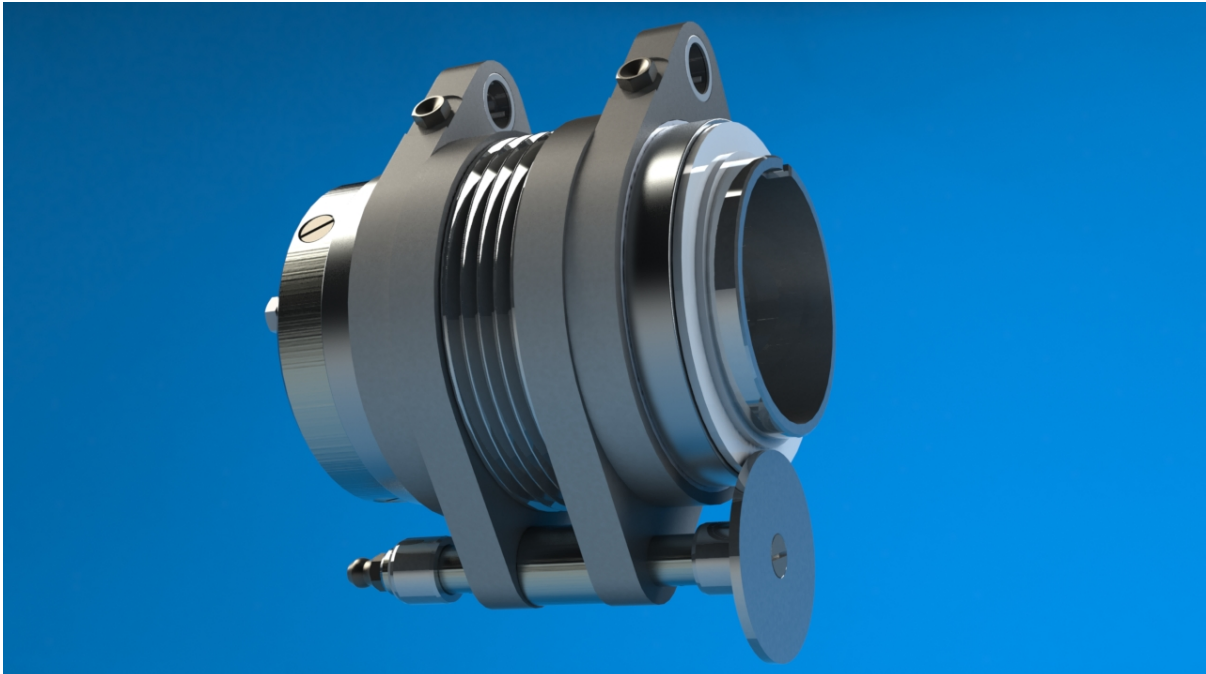
Part No.	Item
53120441	retrofit kit HIL-06/08 for 6 spray guns S-233 not including spray guns and nozzle extensions
53104090	retrofit kit HIL-06/08 for 6 spray guns S-233 including spray guns and nozzle extensions

4.1.2.4 Retrofit Kits for HIL-06/08

Part No.	Item
52113786	retrofit kit for 6 spray stations without spray guns for HIL-06
52113792	retrofit kit to 6 spray stations without spray guns including 2 nd scanning device for HIL-08-32
53123965	retrofit kit HIL-06/08/09/10 ejection device with contact-free protection to convert mechanically actuated valve to contact free sensor detection

4.1.3 HIL-16

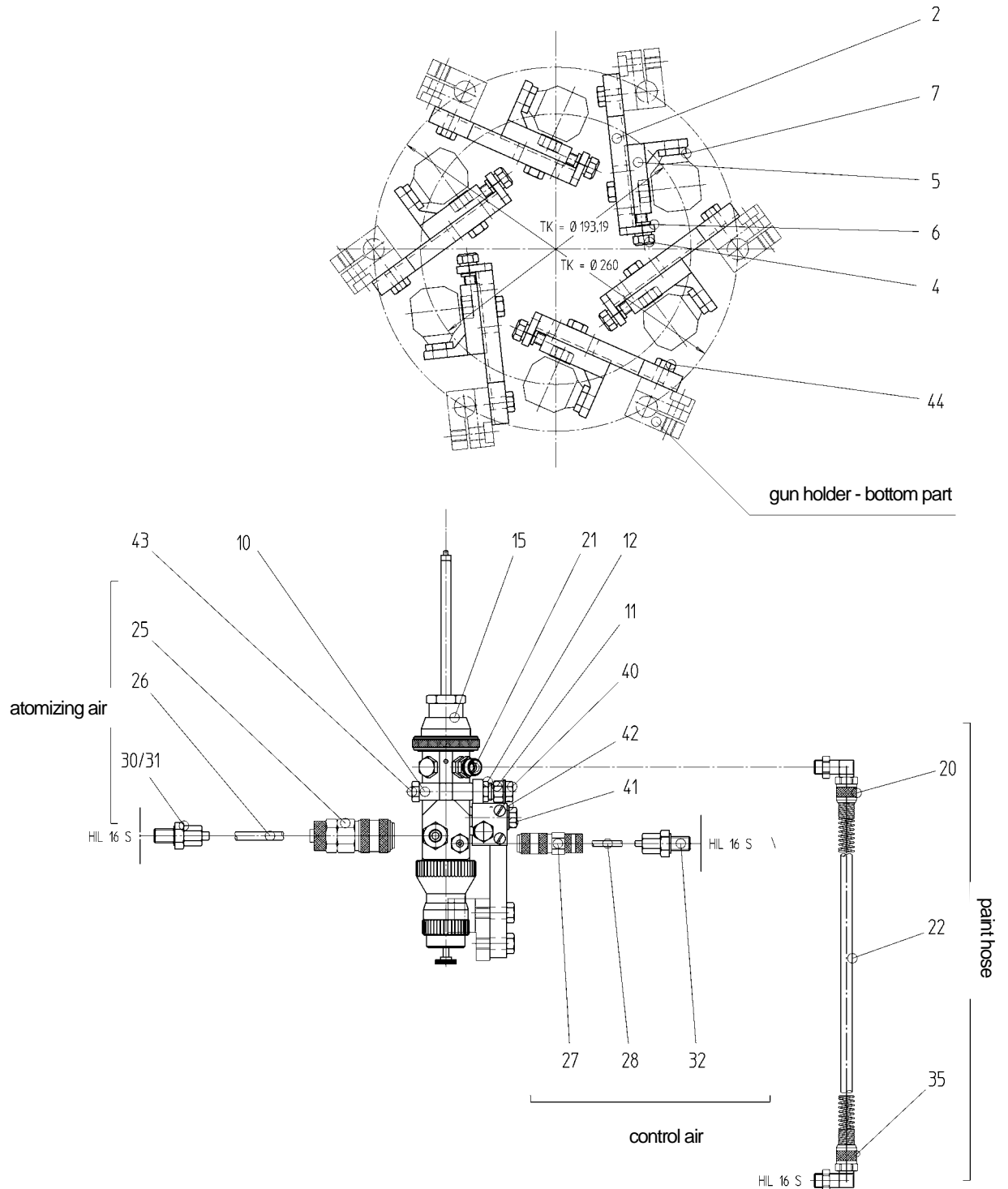
4.1.3.1 Spindle for Chain



chain spindel with lubrication nipple

Part No.	Item
53125733	spindle for HIL chain with lubrication nipple

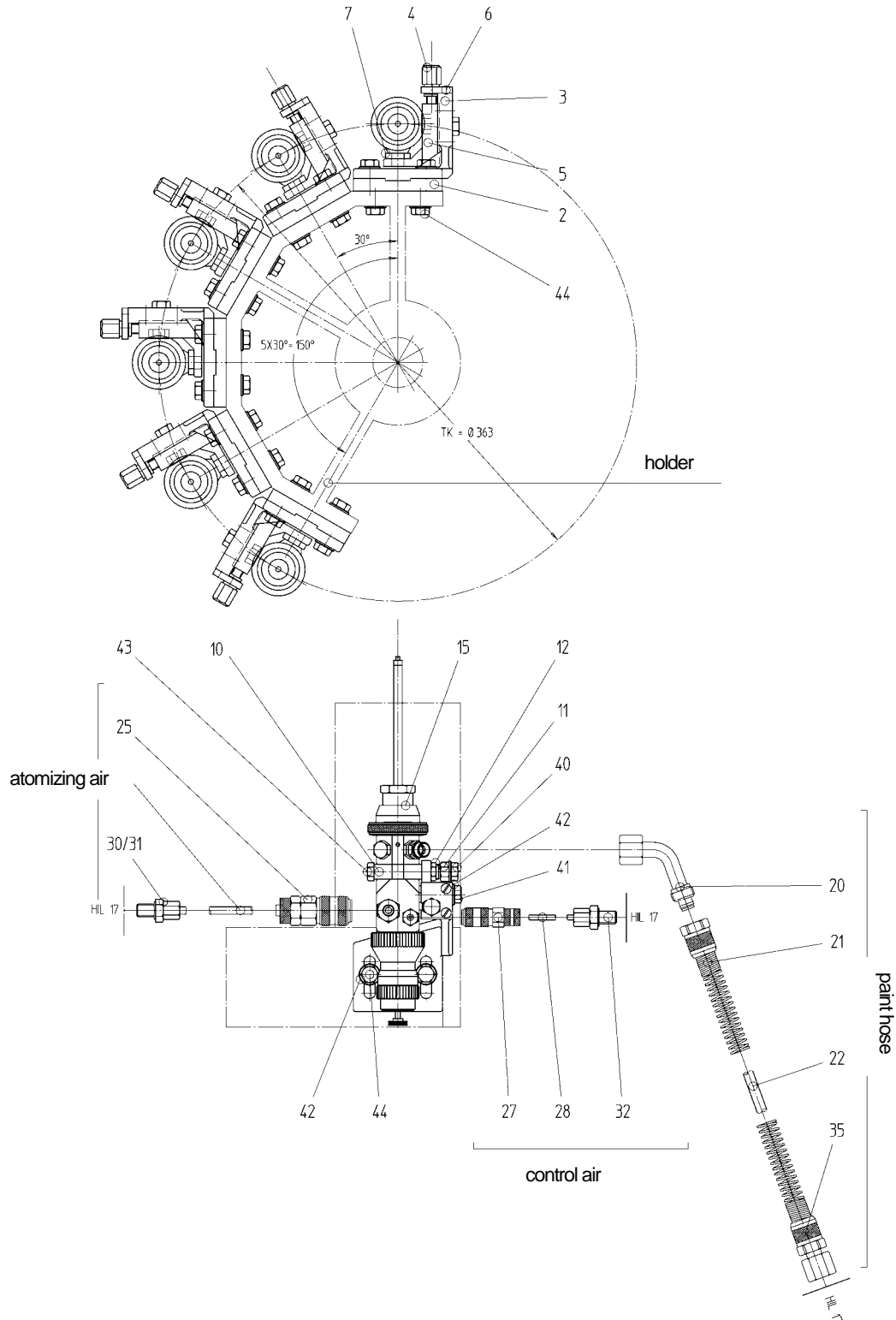
4.1.3.2 Retrofit Kit HIL-16 for 6 Spray Guns S-233



Part No.	Item
53104093	retrofit kit HIL-16 for 6 spray guns S-233

4.1.4 HIL-17

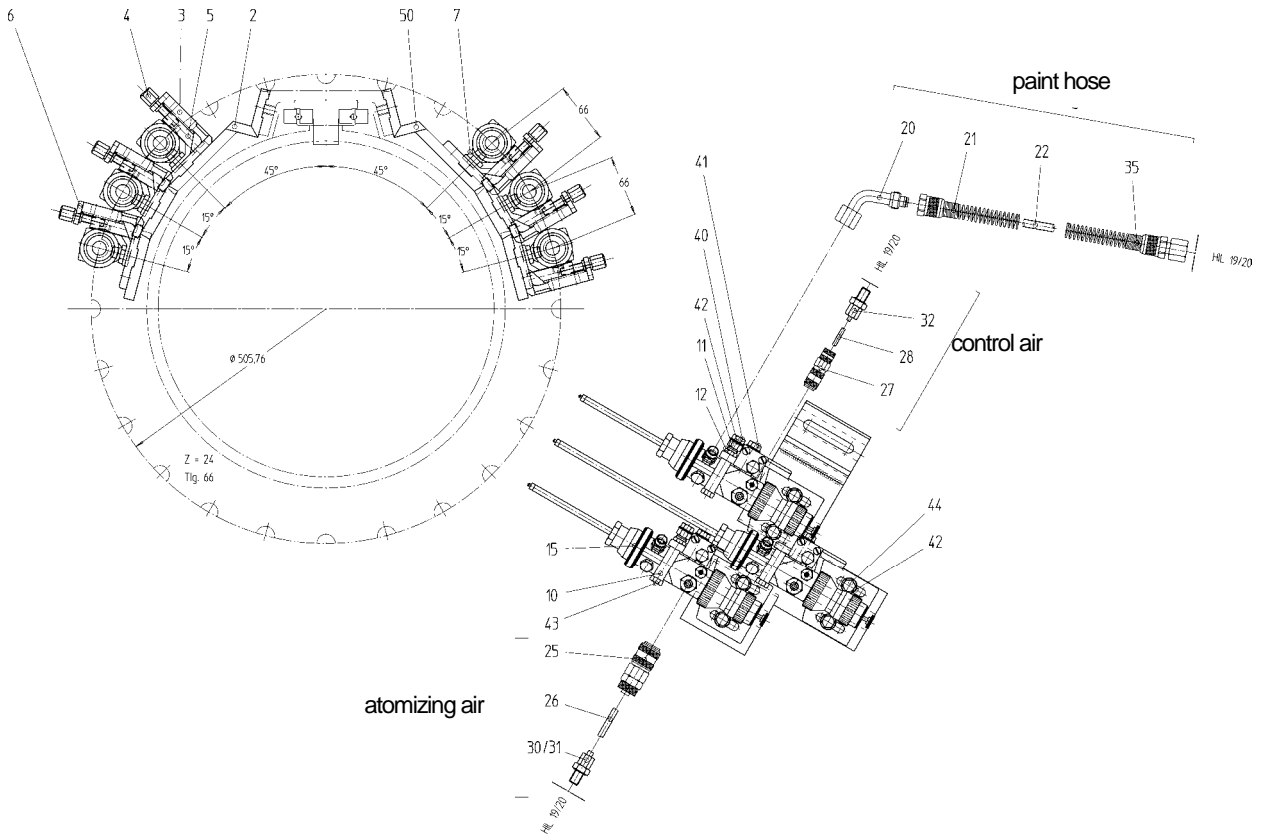
4.1.4.1 Retrofit Kit HIL-17 for 6 Spray Guns S-233



Part No.	Item
53104087	retrofit kit HIL-17 for 6 spray guns S-233

4.1.5 HIL-19/20

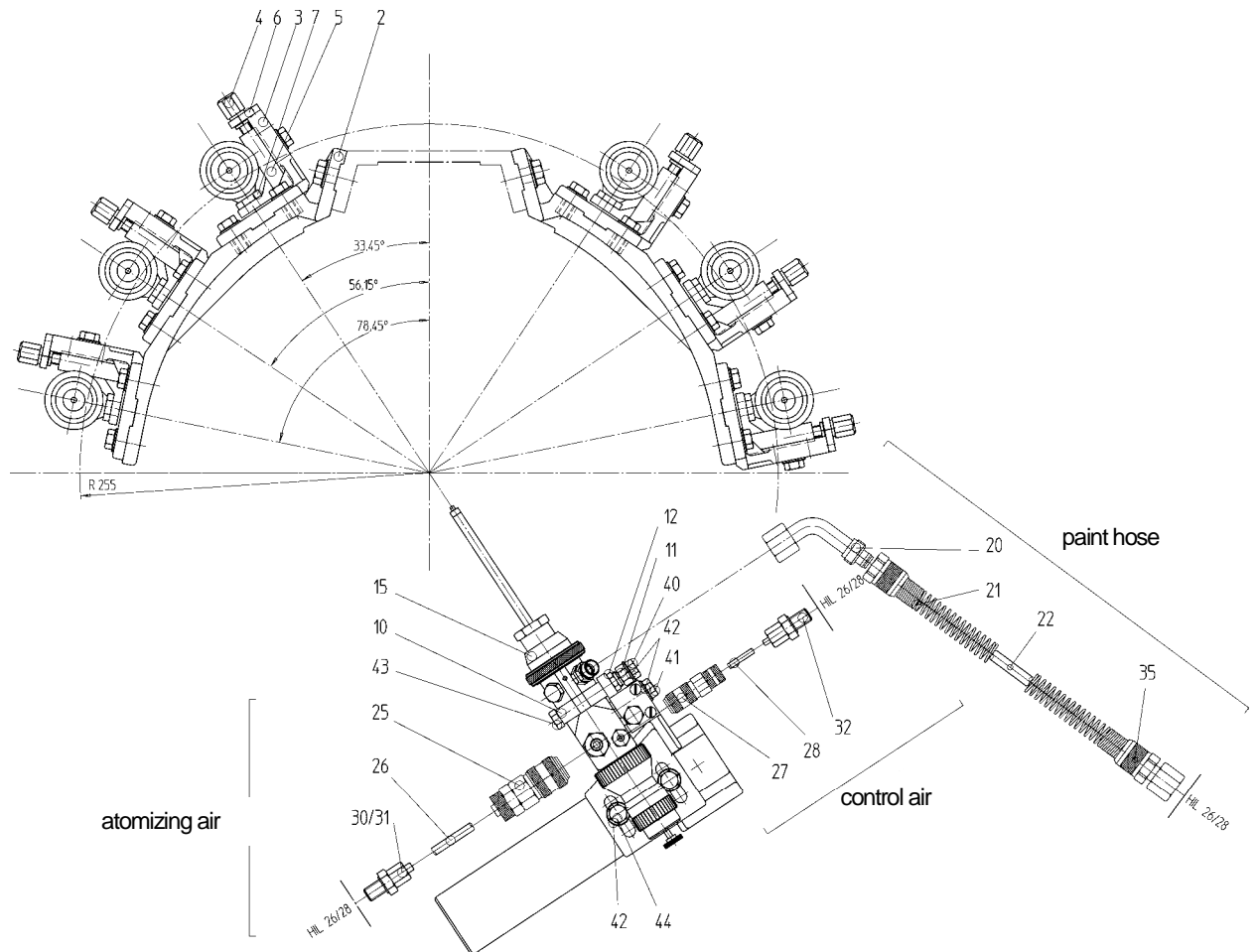
4.1.5.1 Retrofit Kit HIL-19/20 for 6 Spray Guns S-233



Part No.	Item
53104089	retrofit kit HIL-19/20 for 6 spray guns S-233

4.1.6 HIL-26/28

4.1.6.1 Retrofit Kit HIL-26/28 for 6 Spray Guns S-233

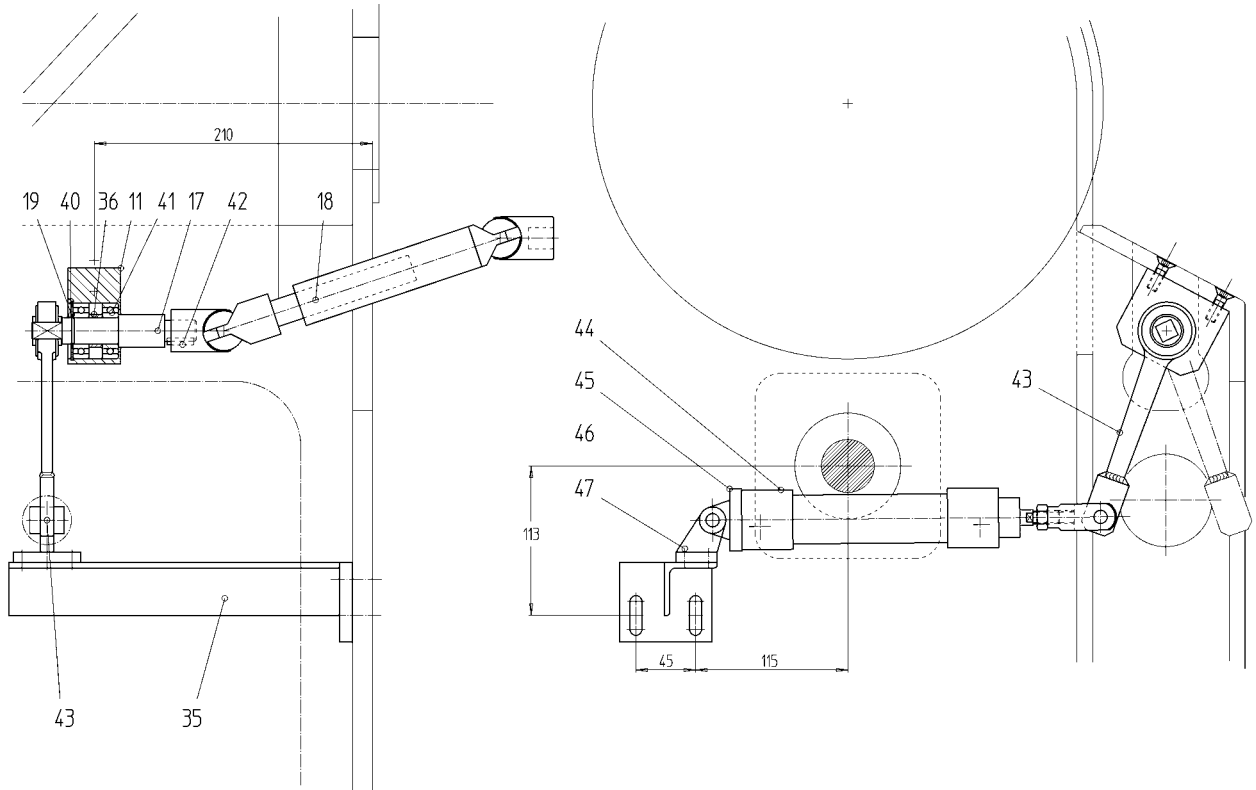


Part No.	Item
53104090	retrofit kit HIL-26/28 for 6 spray guns S-233
53120441	retrofit kit HIL-26/28 for 6 spray gun brackets and connectors S-233

4.1.6.2 Cleaning Device for Spray Guns, Pneumatic Rotary Drive

Part No.	Item
53108747	cleaning device for spray guns with pneumatic rotary drive
51102733	Ledge brush PA6

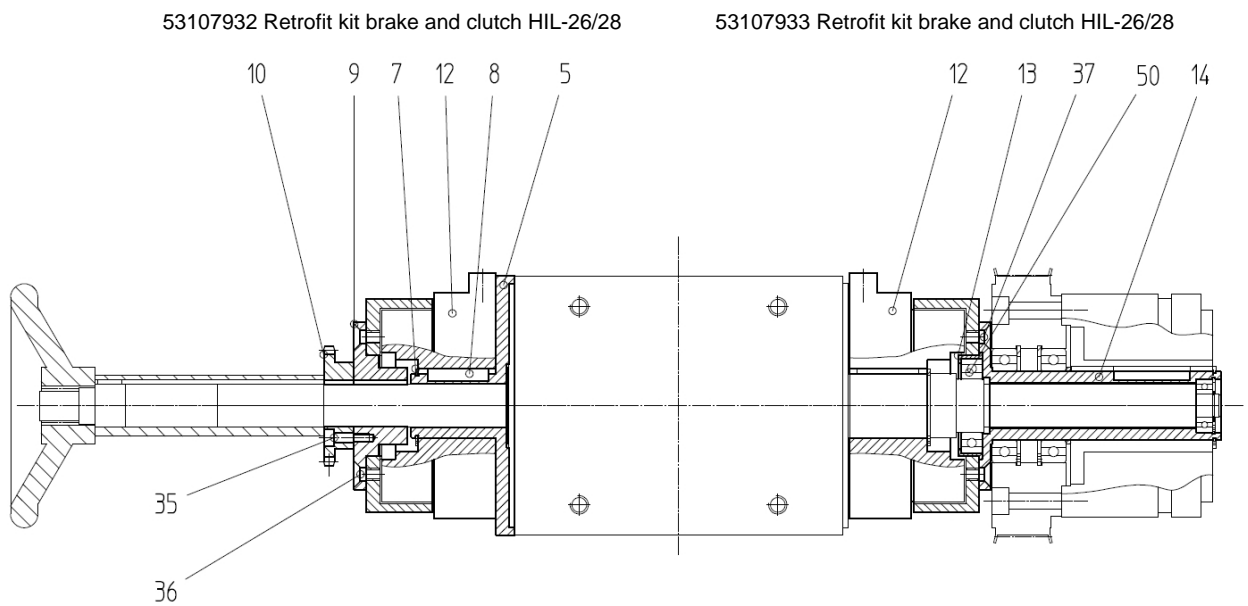
4.1.6.3 Cleaning Device for Spray Guns, Pneumatic Cylinder



Part No.	Item
53104299	cleaning device for spray guns with pneumatic cylinder

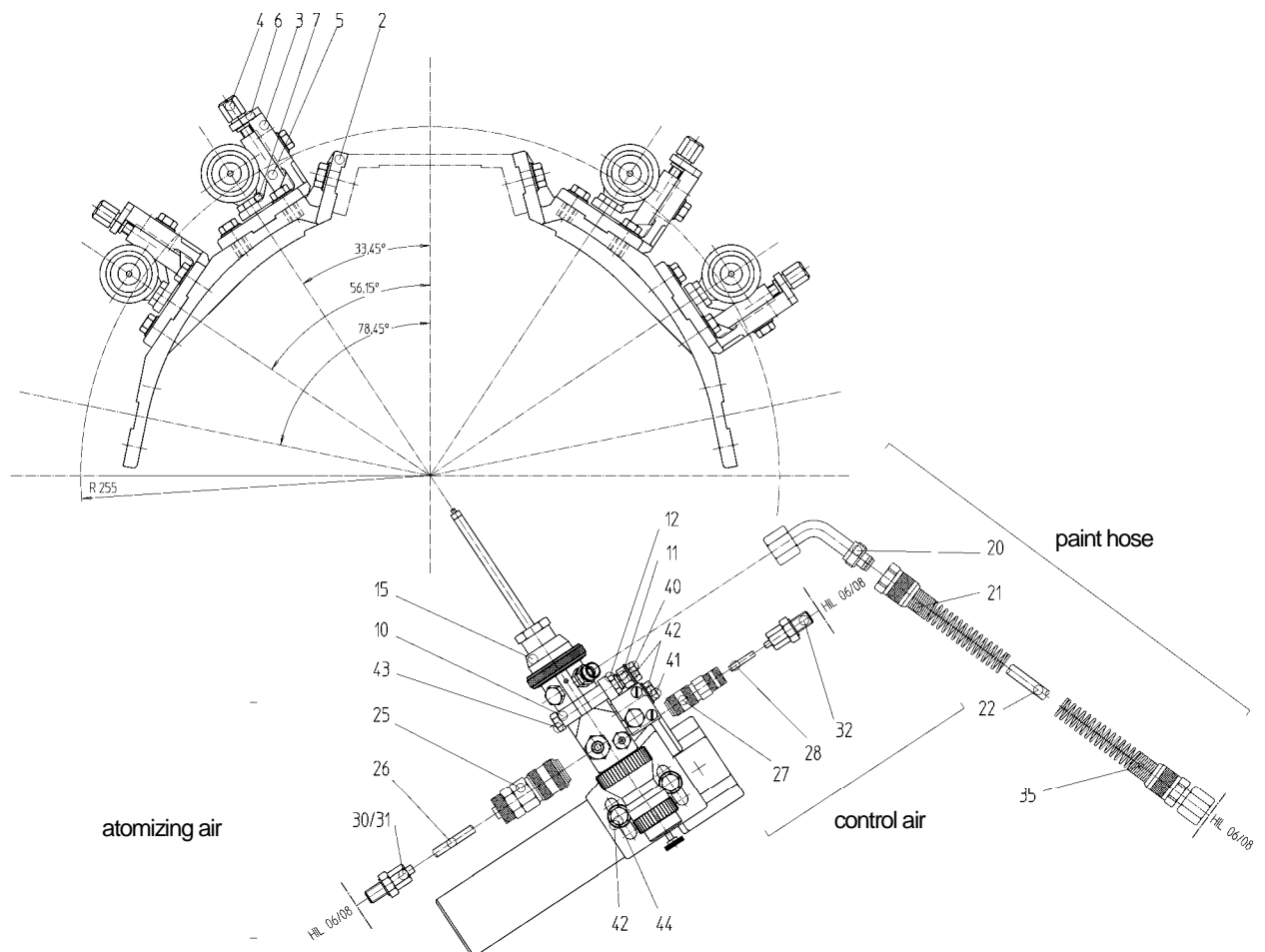
4.1.6.4 Retrofit kit brake and clutch HIL-26/28

Part No.	Item
53107931	Retrofit kit brake and clutch HIL-26/28 (Consisting of: Retrofit kit No. 53107932 and 53107933)



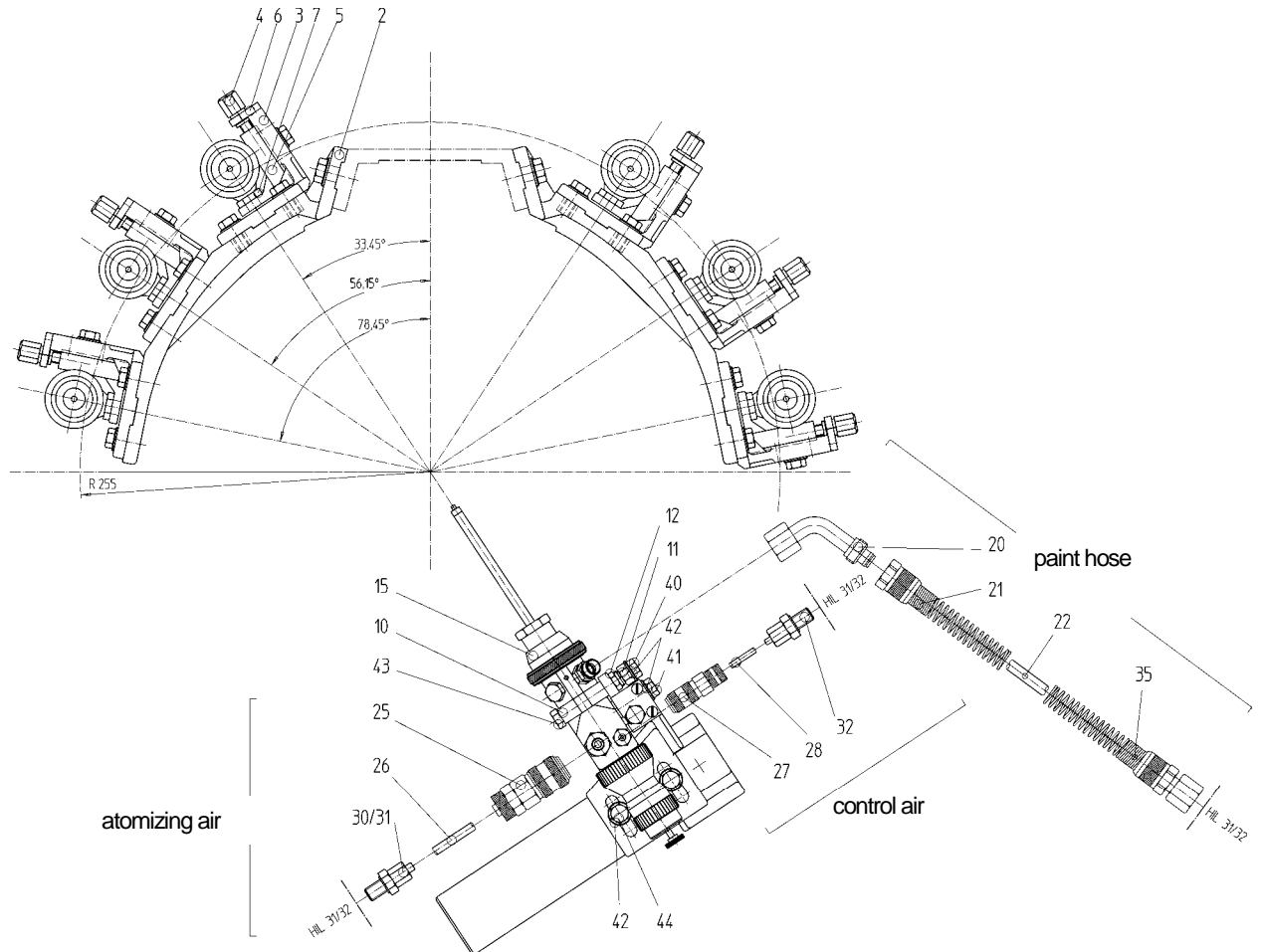
4.1.7 HIL-31/32

4.1.7.1 Retrofit Kit HIL-31/32 for 4 Spray Guns S-233



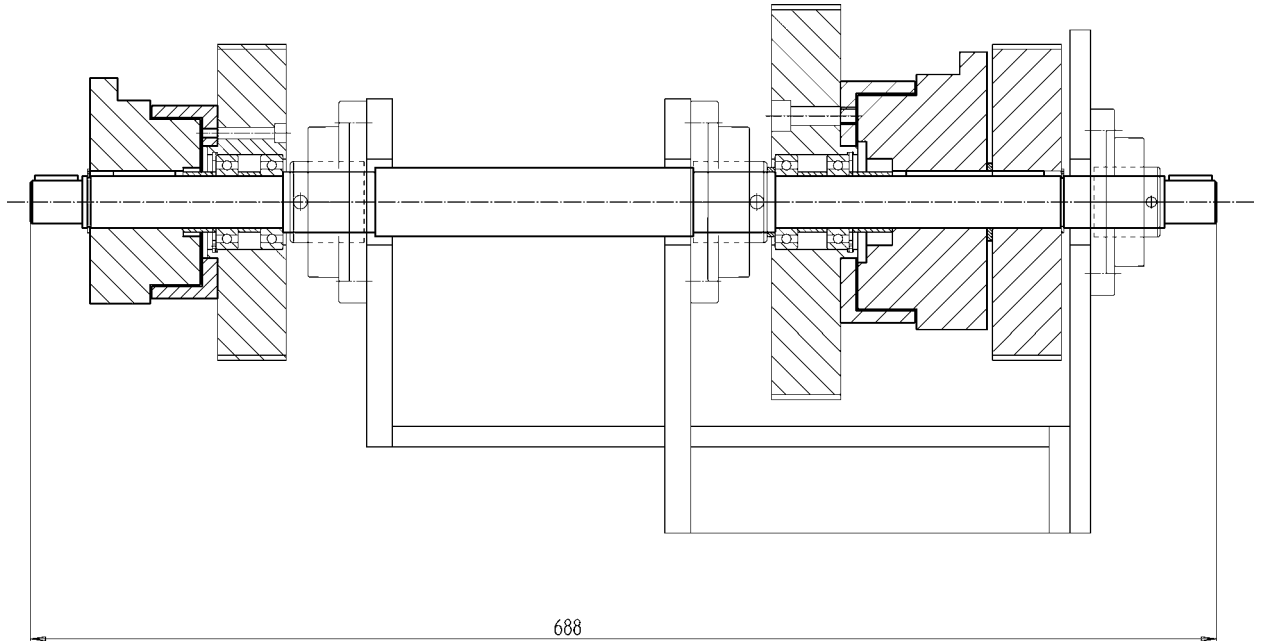
Part No.	Item
52331276	retrofit kit HIL-31/32 for 4 spray guns S-233
53127515	retrofit kit HIL-31/32 for 4 spray gun brackets and connectors

4.1.7.2 Retrofit Kit HIL-31/32 for 6 Spray Guns S-233



Part No.	Item
53104091	retrofit kit HIL-31/32 for 6 spray guns S-233

4.1.7.3 Conversion Kit HIL 31 Drive for Ortlinghaus Coupling



Part No.	Item
53107455	conversion kit HIL-31 for Ortlinghaus coupling

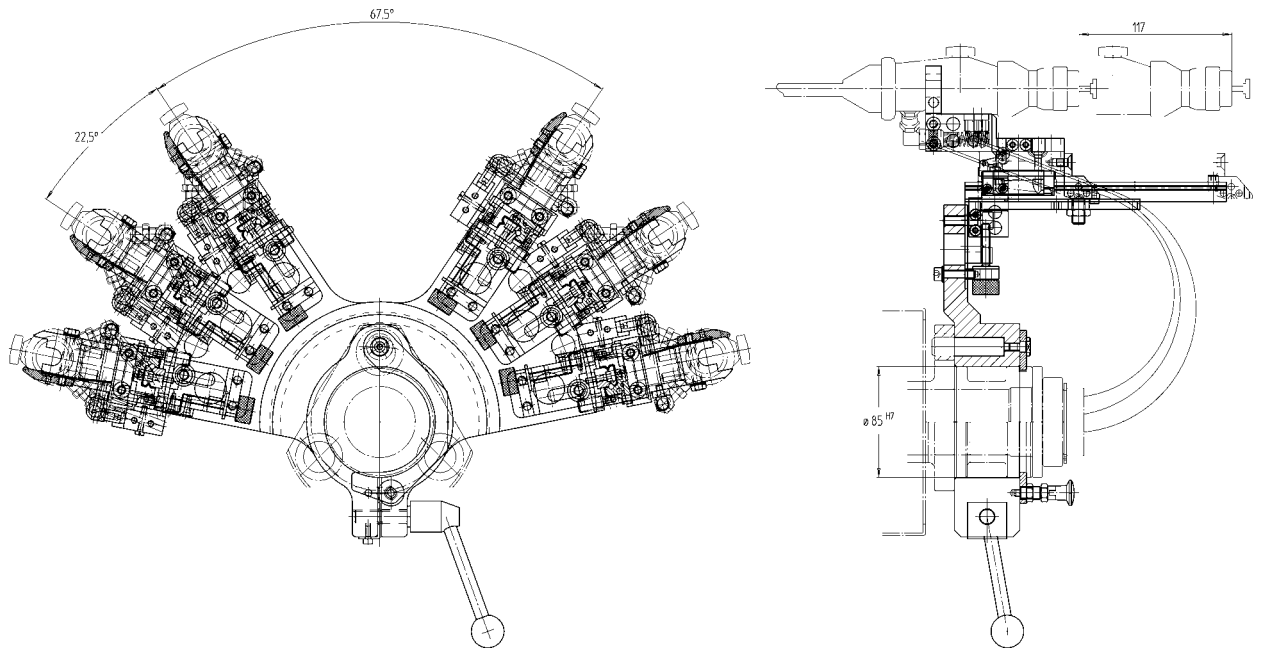
4.1.8 HIL-34

Part No.	Item
53119685	retrofit kit HIL-34 for drive (325 1/min 50 Hz) with tooth belt pulley 32 tooth, for use with variable frequency drive
53119686	retrofit kit HIL-34 for drive (325 1/min 50 Hz), with tooth belt pulley 35 tooth, for use with variable frequency drive
53116163	retrofit kit HIL-34 for drive (325 1/min 50 Hz) with tooth belt pulley 35 tooth, not for use with variable frequency drive

Detailed information on request

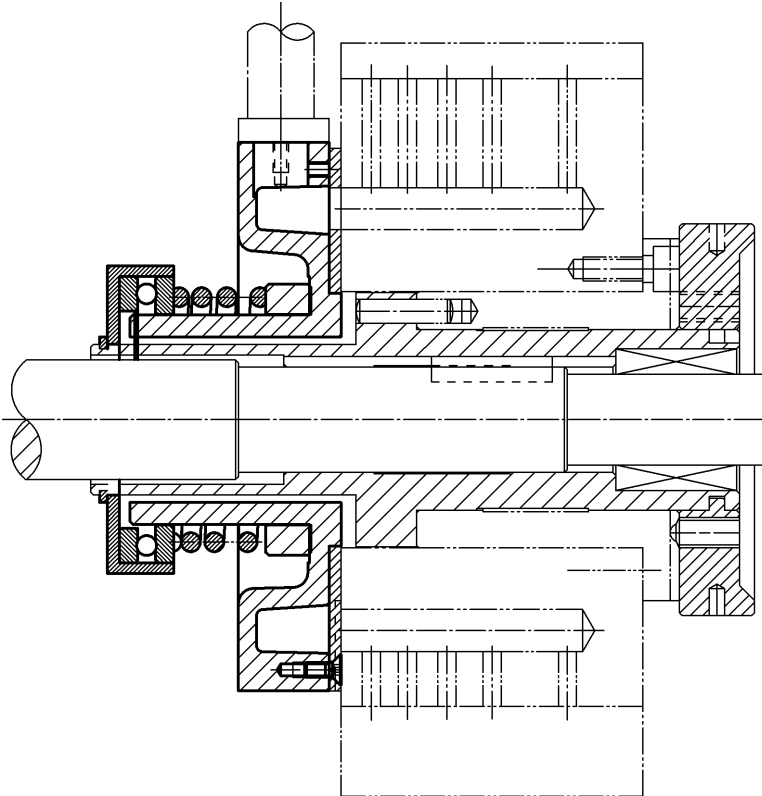
4.1.9 HIL-40/42

4.1.9.1 Retrofit Kit for Reinforced Escapement of Spray Guns - Similar to HIL-64



Part No.	Item
53123910	retrofit kit with reinforced escapement of spray guns for HIL-42
53119663	retrofit spray gun holder complete for HIL-40/42 with escapement

4.1.9.2 Retrofit Kit Vacuum Disc Ejection Device



Part No.	Item
53115897	retrofit kit vacuum disc consisting of ring for vacuum plate, spring and deep groove ball thrust bearing

4.1.9.3 Chain Spindle

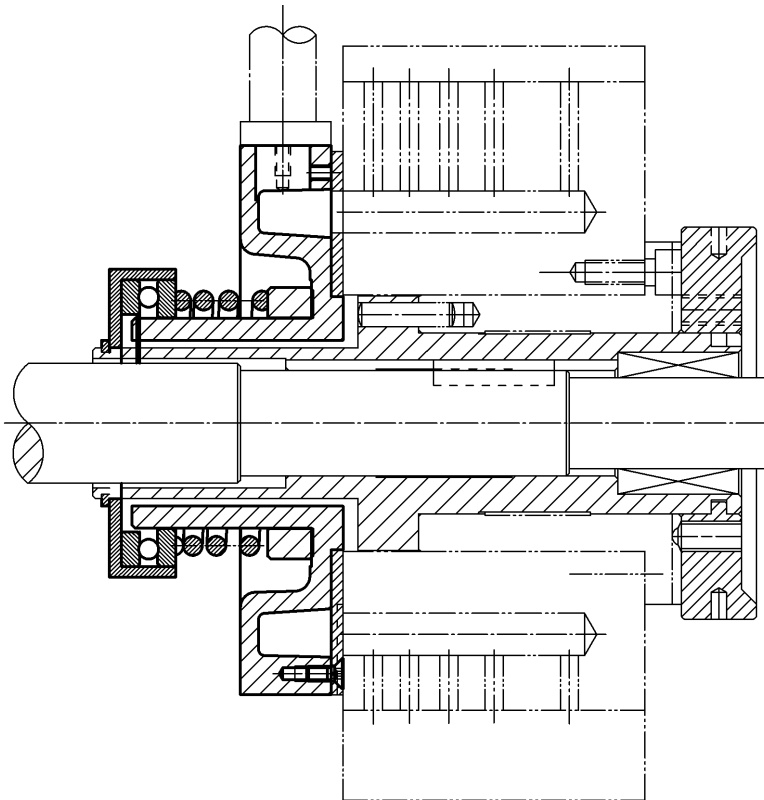


chain spindel with lubrication nipple

Part No.	Item
53125733	chain spindle HIL with lubrication nipple

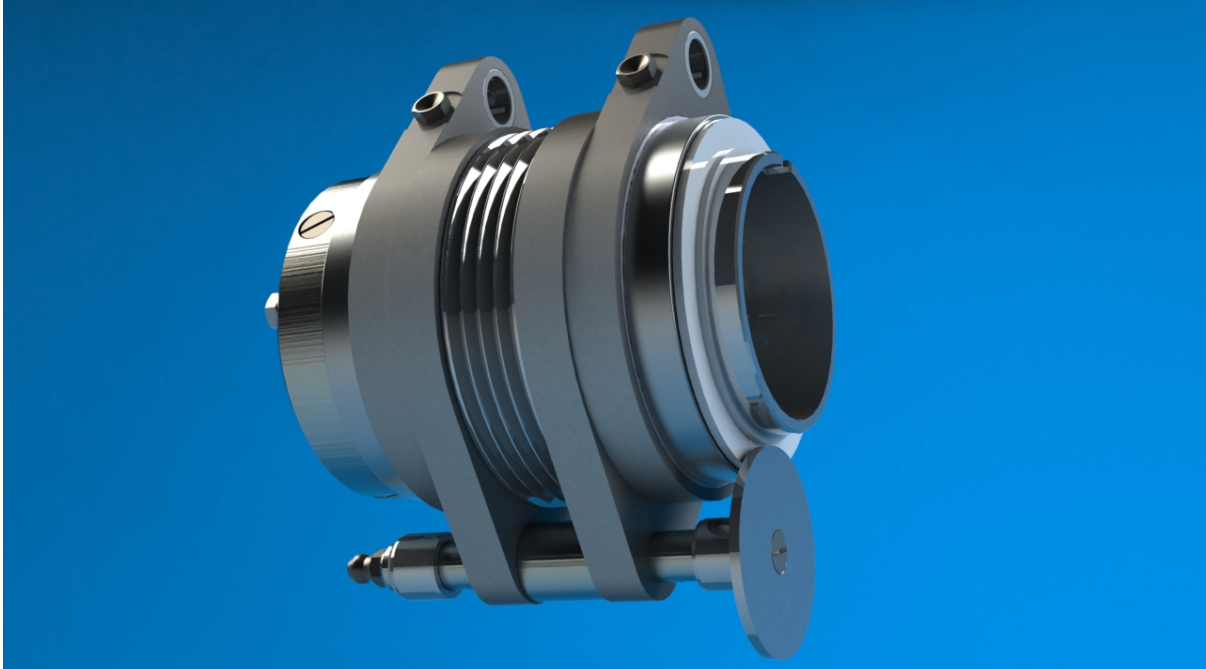
4.1.10 HIL-50/52

**4.1.10.1 Retrofit Kit Vacuum Disc Ejection Device /
Vacuum Transfer**



Part No.	Item
53115897	retrofit kit vacuum disc consisting of ring for vacuum plate, spring and deep groove ball thrust bearing

4.1.10.2 Spindle for chain



chain spindel with lubrication nipple

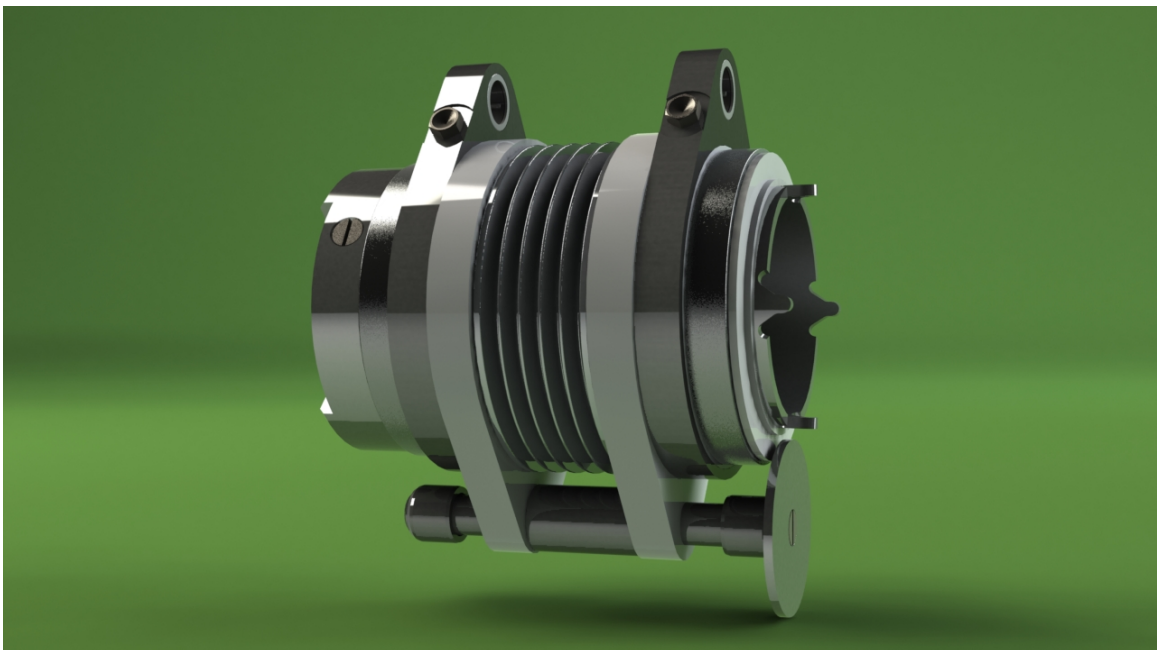
Part No.	Item
53125733	spindle with lubrication nipple

4.1.11 HIL-64/66

4.1.11.1 Spindle for Chain



spindle HIL-64/66 with lubrication nipple

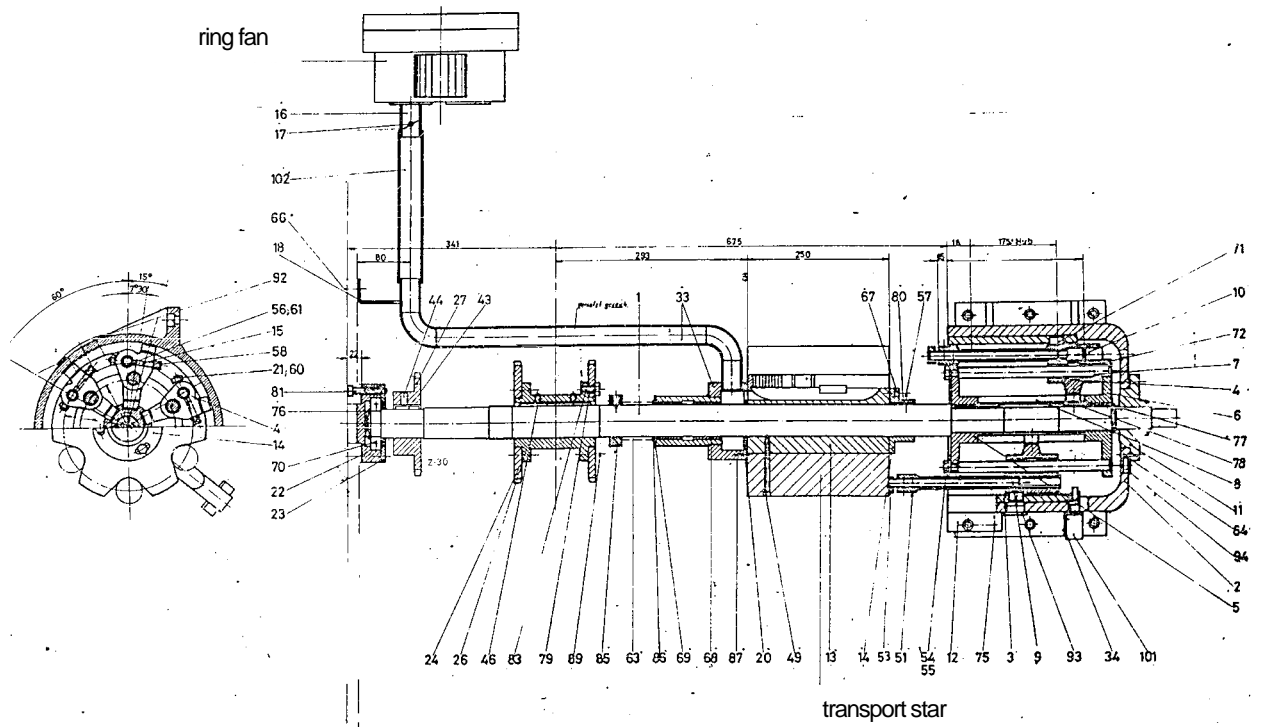


spindle HIL-64/66 without lubrication nipple

Part No.	Item
53125740	spindle HIL-64/66 with lubrication nipple
53119930	spindle HIL-64/66 without lubrication nipple

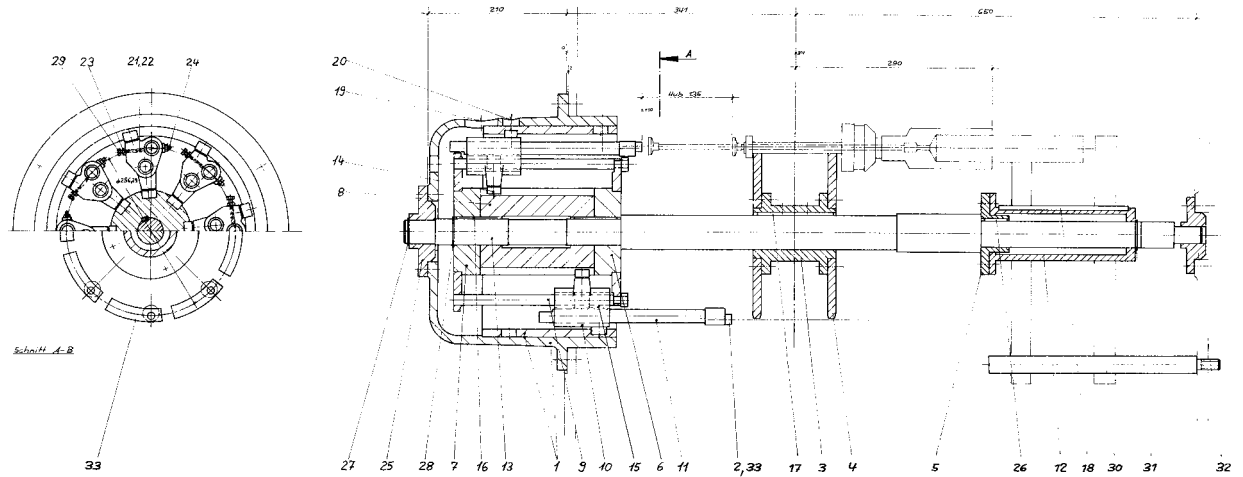
4.1.12 Spare parts for various HILs

4.1.12.1 Push-in Device



Inquiries only with respective machine serial number!

4.1.12.2 Ejection Device



Inquiries only with respective machine serial number!

4.1.12.3 Split Ring Gear

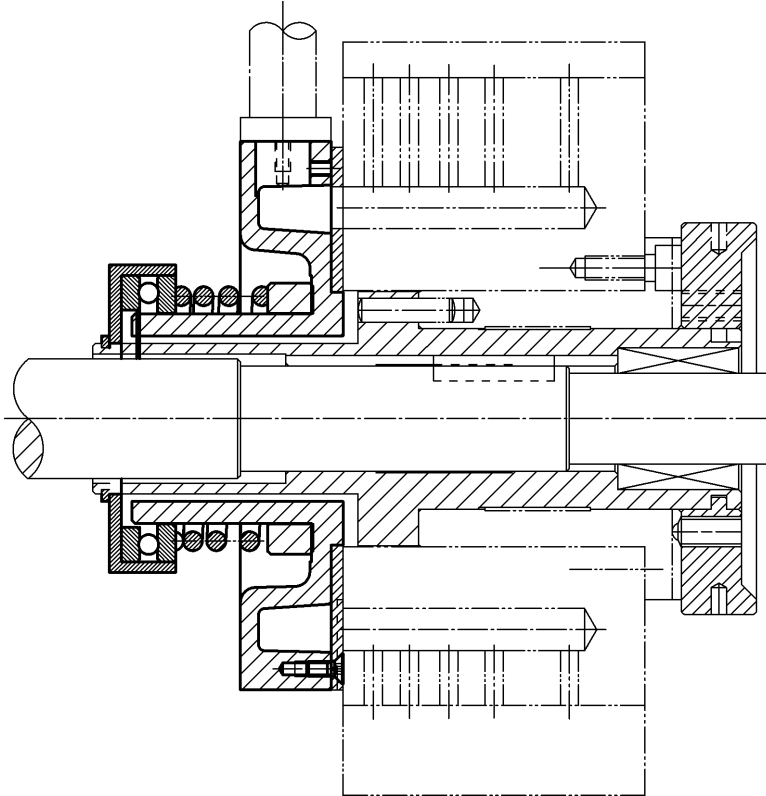


50970255 split ring gear

Inquiries only with respective machine serial number!

4.2 CIL

4.2.1 Retrofit Kit Vacuum Disc Ejection Device

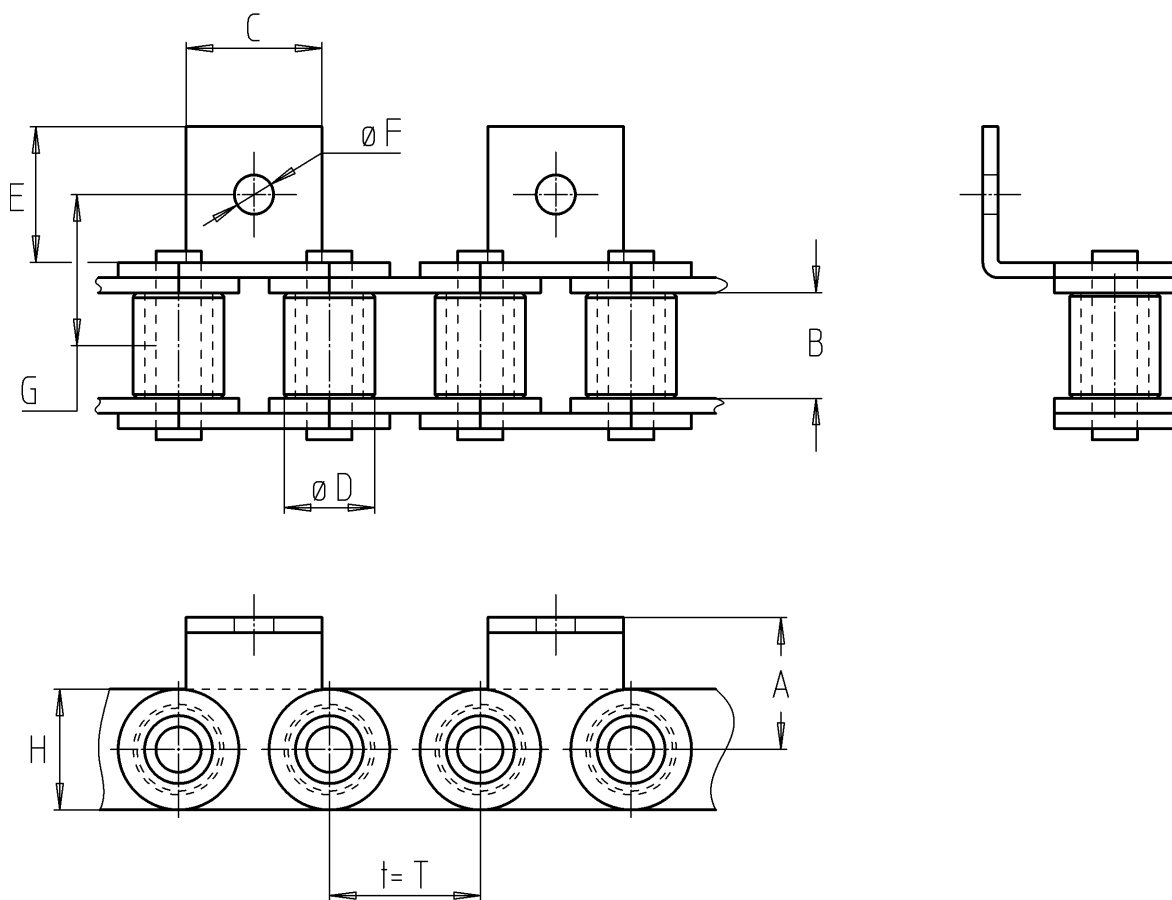


Part No.	Item
53115897	retrofit kit vacuum disc consisting of ring for vacuum plate, spring and deep groove ball thrust bearing

4.3 TGO (Annealing Oven for Tubes) and TIT / DIT (Internal Drier for Tubes / Cans)

4.3.1 Chains

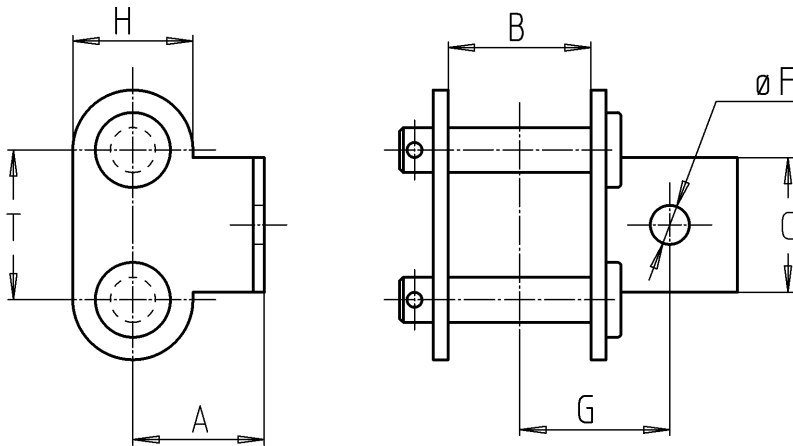
4.3.1.1 Conveying Chains for Drier up to 350 °C



Attachment Chain up to 350 °C:

Part No.	Pitch T	A	B	C	Ø D	E	Ø F	G	H
50659576	20	17,5	14	18	12	18	5,2	20	16

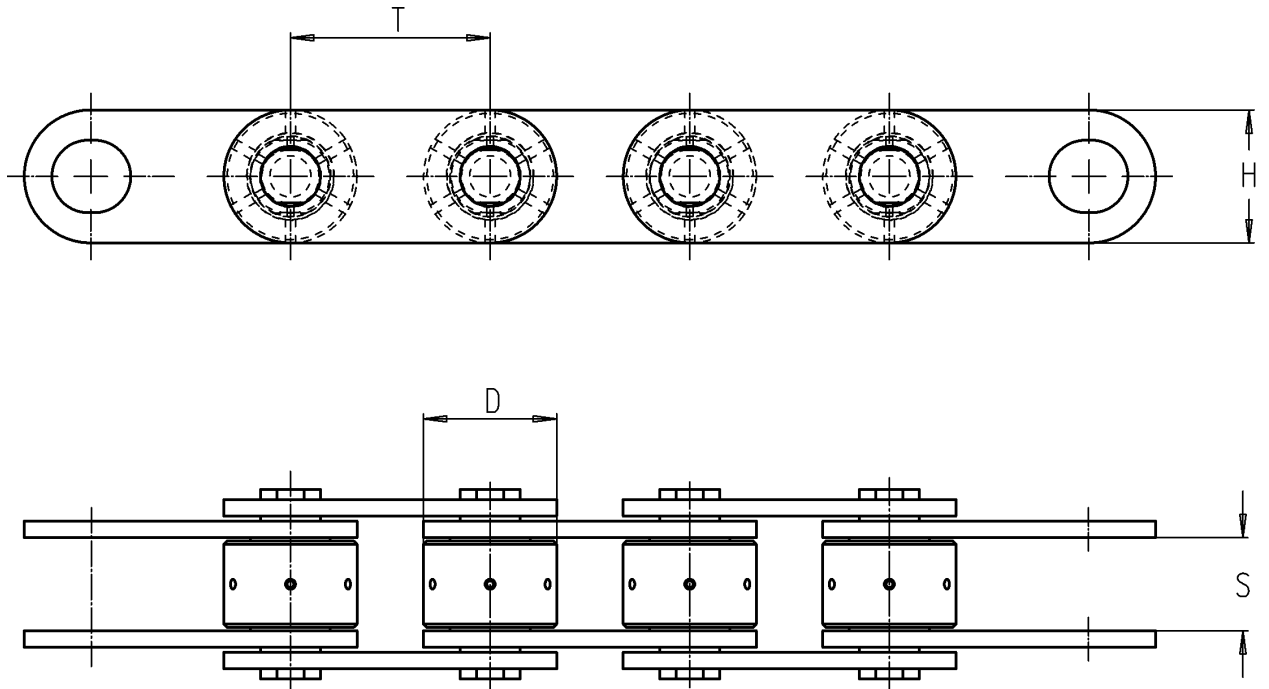
all dimensions in mm



Master Link:

Part No.	Item	Pitch T	A	B	C	Ø F	G	H
50659584	master link	20	17,5	19	18	5,2	20	16
50030341	washer							
50065404	cotter pin							

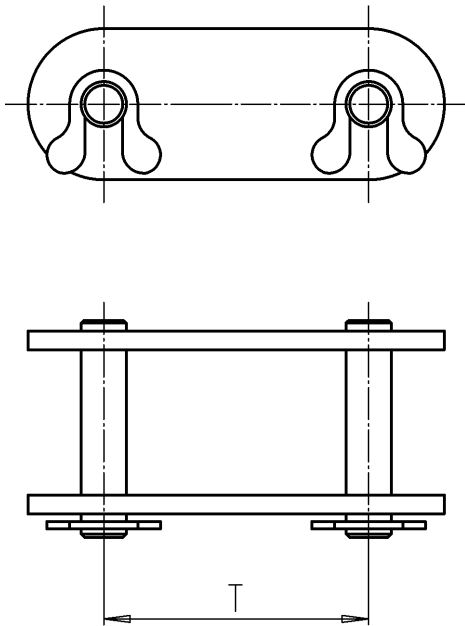
all dimensions in mm



Hollow Pin Chain up to 350 °C

Part No.	Pitch T	Roller ø D	Inner Width S	Height of Link H
53126394	20	15	14	20
53126395	25	18	14	20
53126396	30	20	14	20
53126397	35	20	14	20
53126398	40	20	14	20
53126399	45	20	14	20
53126157	50	20	14	20

all dimensions in mm

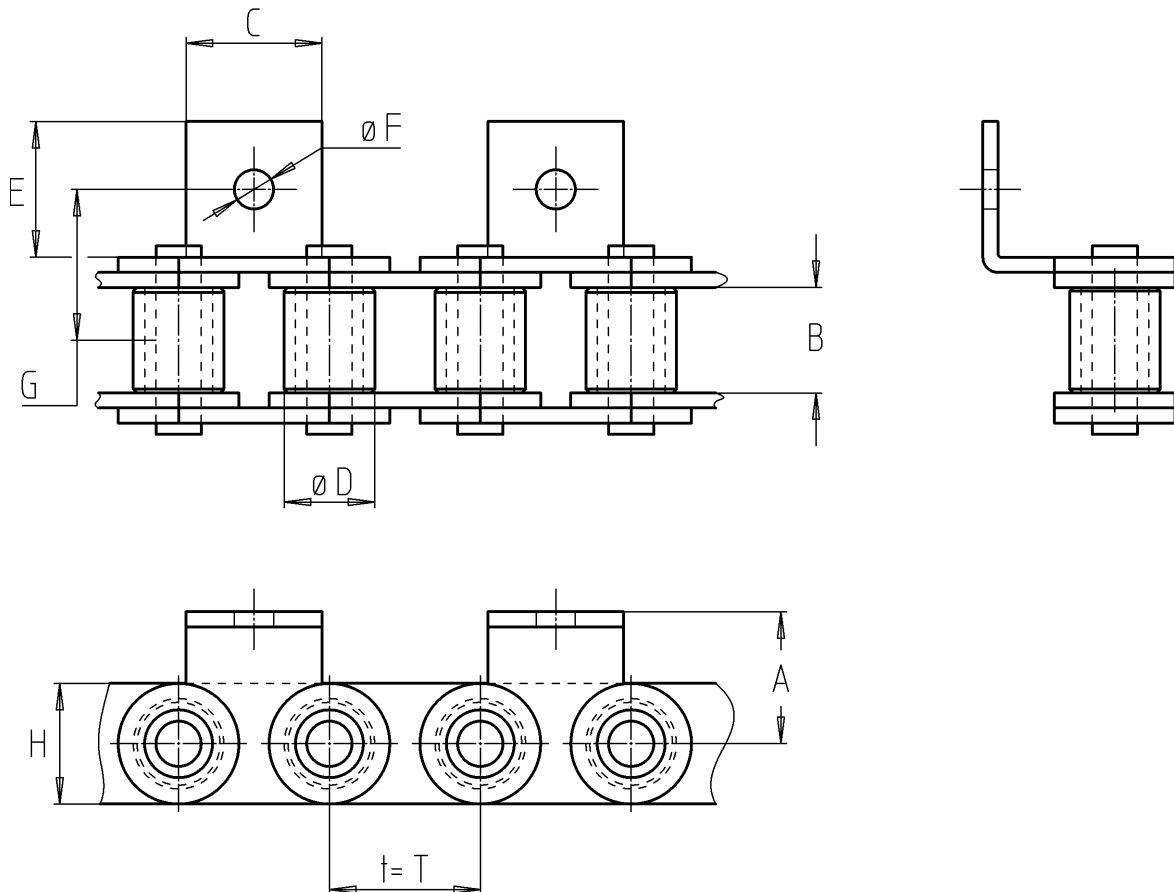


Master Link

Part No.	Pitch T	Item	Remarks
51200341	20	master link T20	incl. 2 clips
51200342	25	master link T25	incl. 2 clips
51200343	30	master link T30	incl. 2 clips
51200344	35	master link T35	incl. 2 clips
51200345	40	master link T40	incl. 2 clips
51200346	45	master link T45	incl. 2 clips
51200347	50	master link T50	incl. 2 clips
50038644	-	clip D6	1 piece

all dimensions in mm

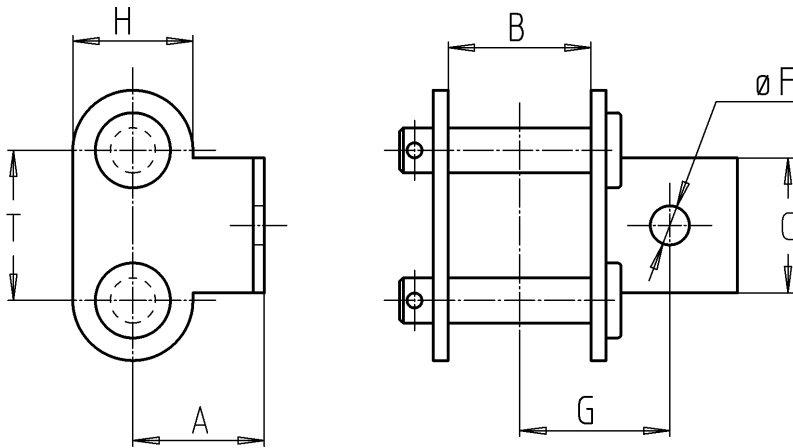
4.3.1.2 Conveying Chains for Drier up to 600 °C



Attachment Chain up to 600 °C

Part No.	Pitch T	A	B	C	Ø D	E	Ø F	G	H
50659568	20	17,5	14	18	12	18	5,2	20	16

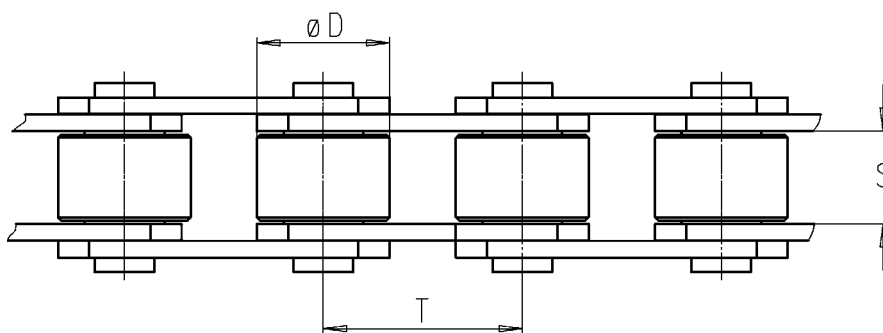
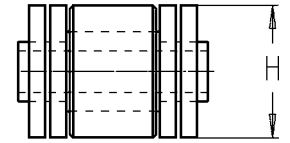
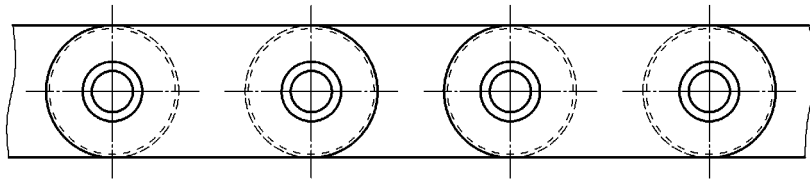
all dimensions in mm



Master Link

Part No.	Item	Pitch T	A	B	C	Ø F	G	H
50659584	master link	20	17,5	19	18	5,2	20	16
50030341	washer							
50065404	cotter pin							

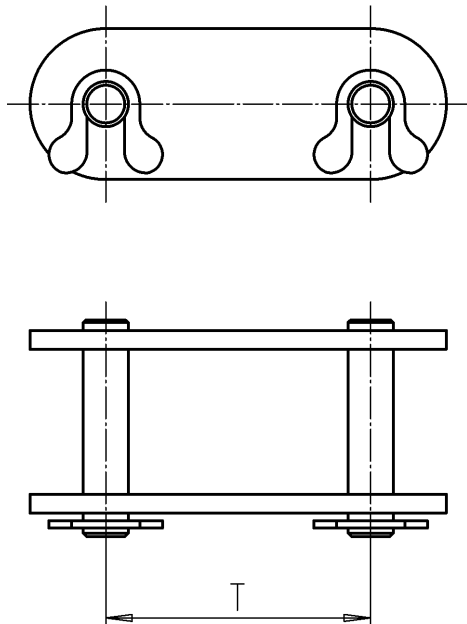
all dimensions in mm



Hollow Pin Chain up to 600°C

Part No.	Pitch T	Roller $\varnothing D$	Inner Width S	Height of Link H
51102189	20	15	14	20
50900656	25	18	14	20
50643866	30	20	14	20
50643874	35	20	14	20
50643882	40	20	14	20
50935670	45	20	14	20
50671835	50	28	14	20

all dimensions in mm



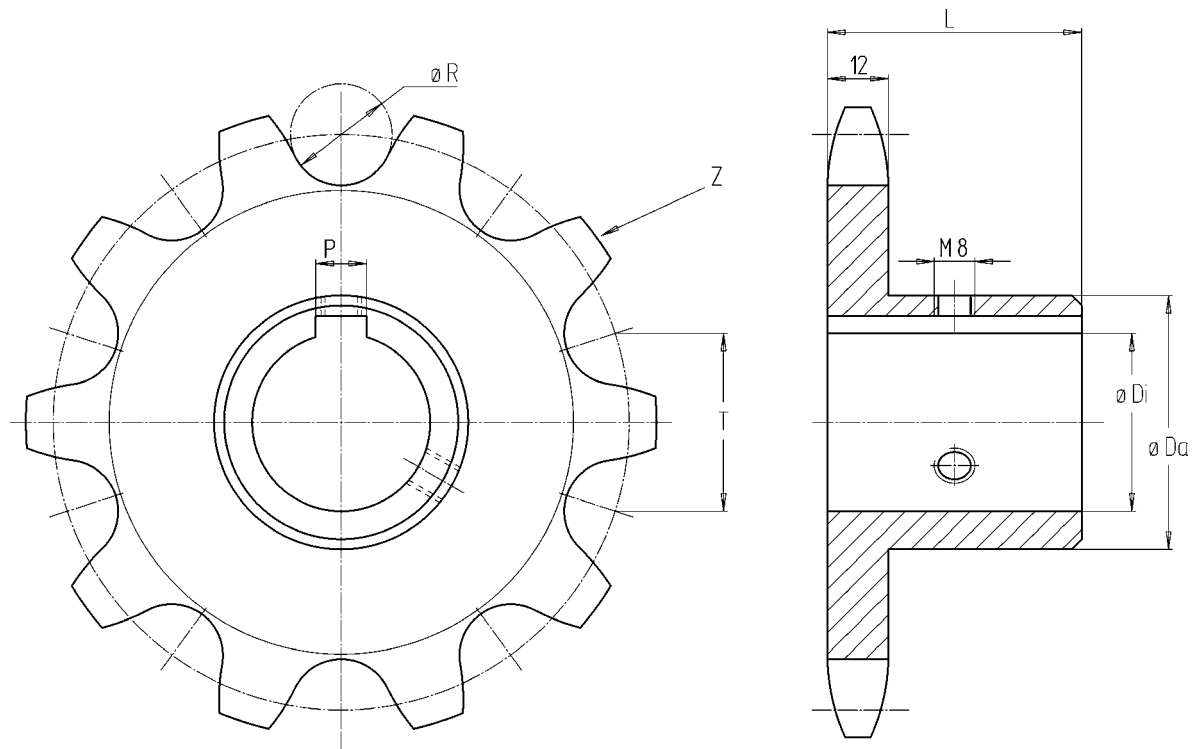
Master Link

Part No.	Pitch T	Item	Comment
51102194	20	master link T20	incl. 2 clips
50900524	25	master link T25	incl. 2 clips
50038709	30	master link T30	incl. 2 clips
50038717	35	master link T35	incl. 2 clips
50038725	40	master link T40	incl. 2 clips
50165913	45	master link T45	incl. 2 clips
50107344	50	master link T50	incl. 2 clips
50038644	-	clip D6	1 piece

all dimensions in mm

4.3.2 Sprockets

4.3.2.1 Sprockets for Conveyor Chains



Part No.	Pitch T	Number of Teeth Z	Roller Ø R	Shaft Ø Di	External Ø Da	Length L	Key Width P
50638552	20	20	12	35	52	50	10
53115906	20	21	15	35	60	50	10
53120584	20	21	15	45	75	54	14
53120580	20	29	15	45	75	54	14
50976784	25	14	18	35	50	50	10
50900621	25	16	18	35	50	50	10
53108116	25	19	18	45	75	54	14
53108115	25	23	18	45	75	54	14
50643890	30	12	20	35	50	50	10

MACHINE-SPECIFIC SPARE PARTS



Part No.	Pitch T	Number of Teeth Z	Roller Ø R	Shaft Ø Di	External Ø Da	Length L	Key Width P
50643904	30	14	20	35	54	50	10
53116879	30	15	20	45	75	54	14
50648558	30	16	20	35	60	56	10
50643912	35	10	20	35	50	50	10
50643920	35	12	20	35	54	50	10
53111015	35	13	20	45	75	54	14
50673030	35	14	20	35	60	50	10
50950173	35	16	20	40	70	50	12
53111016	35	17	20	45	75	54	14
50643939	40	10	20	35	54	50	10
53114280	40	11	20	40	70	54	12
52150852	40	11	20	55	85	54	16
50687391	40	12	20	35	60	50	10
53300356	40	12	20	40	70	54	12
51101902	40	12	20	45	70	54	14
53300012	40	12	20	55	80	54	16
50960365	40	14	20	40	70	50	12
53112738	40	15	20	40	70	54	12
53114277	40	15	20	55	85	54	16
53300355	40	16	20	40	70	54	12
53300011	40	16	20	55	80	54	16
53102093	45	10	20	35	60	50	10

MACHINE-SPECIFIC SPARE PARTS

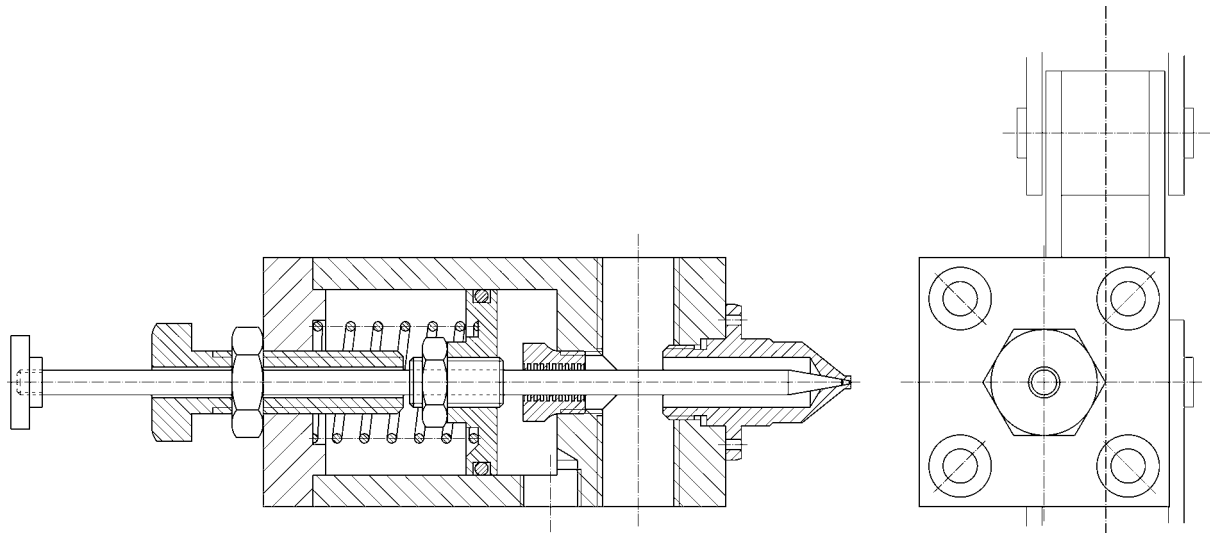


Part No.	Pitch T	Number of Teeth Z	Roller Ø R	Shaft Ø Di	External Ø Da	Length L	Key Width P
11010025	45	11	20	40	80	54	12
53112239	45	11	20	45	70	54	14
53103613	45	11	20	55	80	54	16
50954250	45	12	20	35	70	50	10
50935611	45	12	20	40	70	50	12
53115081	45	13	20	40	80	54	12
53112240	45	13	20	45	75	54	14
53115082	45	13	20	55	80	54	16
11010028	45	14	20	40	80	54	12
53103614	45	14	20	55	80	54	16
53114279	50	9	20	40	70	54	12
53108171	50	9	20	45	70	54	14
53114347	50	9	20	55	85	54	16
11014178	50	10	20	55	80	54	16
53114278	50	11	20	40	75	54	12
53114346	50	11	20	55	85	54	16
50948934	50	12	20	35	70	50	10

all dimensions in mm

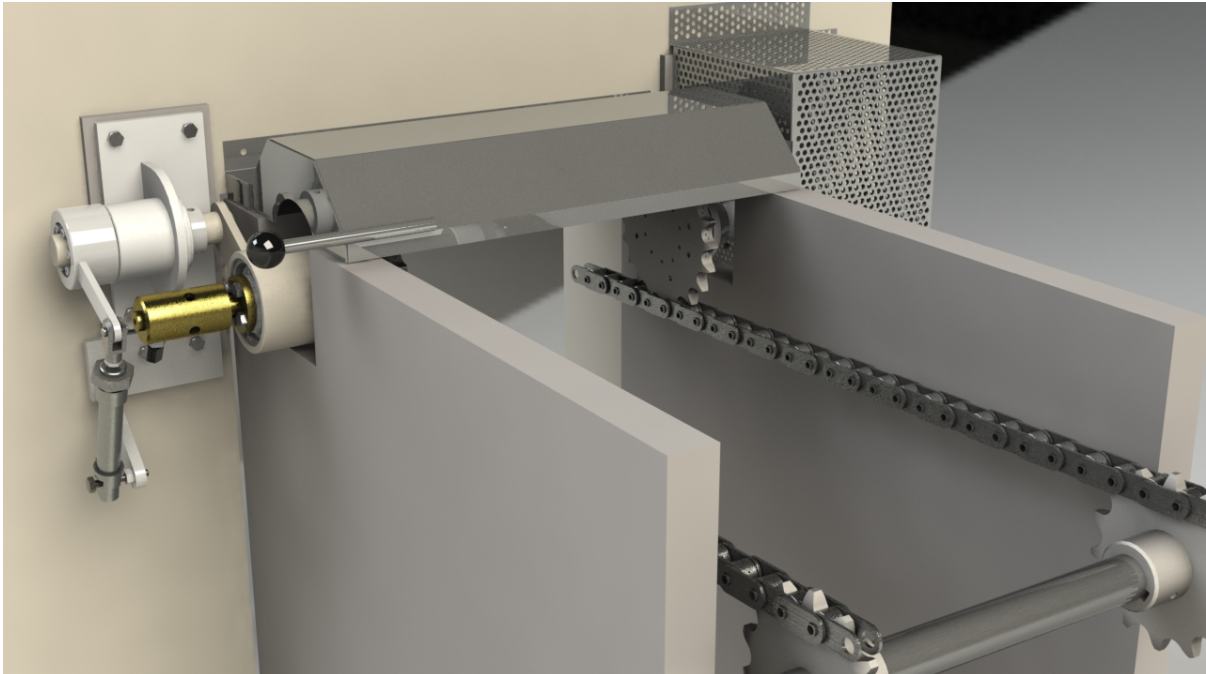
4.3.3 Chain Lubrication for DIT, TIT and TGO

4.3.3.1 Conventional Chain Lubrication



Part No.	Item	Remarks
53102995	chain lubrication unit	short version
53115240	chain lubrication unit	extended version
53124288	chain lubrication unit	extended version
53124236	chain lubrication unit	extended version
53124235	chain lubrication unit	short version
53124290	chain lubrication unit	short version
51061933	lubricating pump	Cadet
51100845	lubricating pump	Husky

4.3.3.2 Automated Chain Lubrication for chain with lubrication bores



chain lubrication with supply of lubricant from outside

Innovative all-automatic chain lubrication system for lubrication of internal coating drying oven chains up to a drier temperature of 300°C.

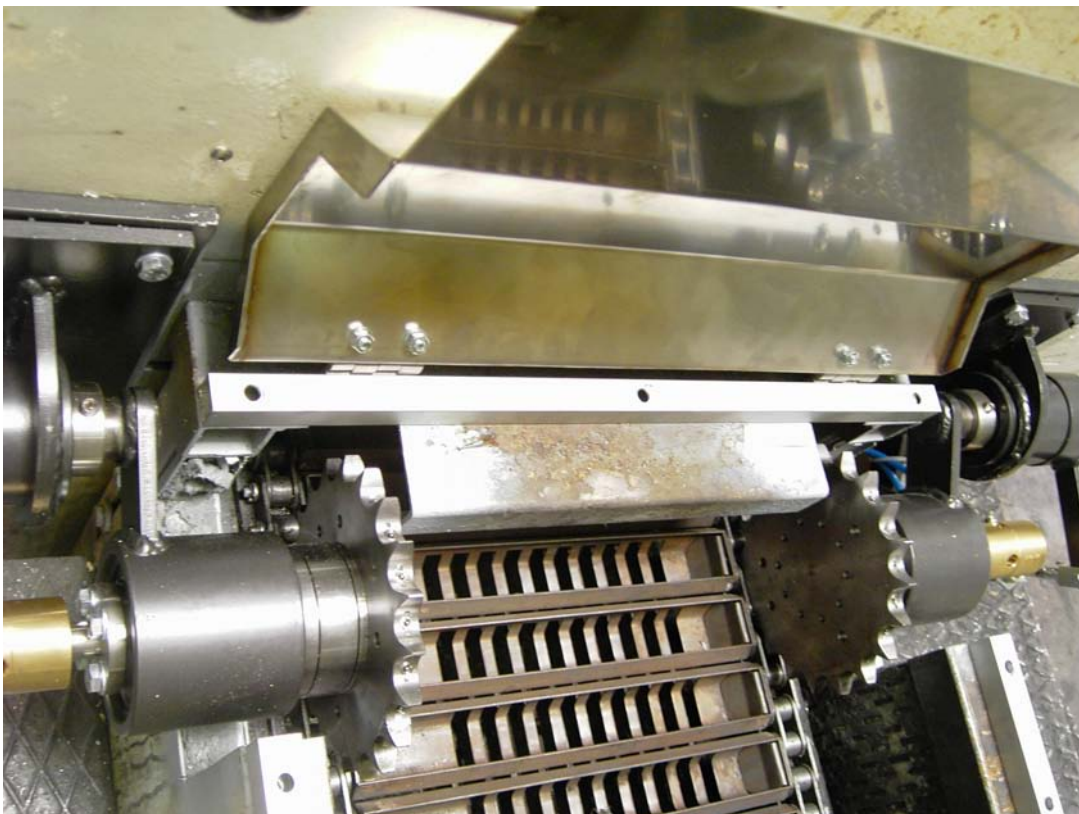
Caused by the all-automatic chain lubrication during production and the usage of lubricant without solids, consumption of lubricant will be reduced essentially compared to conventional lubrication, and production downtime will be prevented.

The chain lubrication is integratable into existing machines, as well with the new chains with bores as with conventional chains (see chapt. 4.3.3.3)

Available for chain pitches T25 – T50



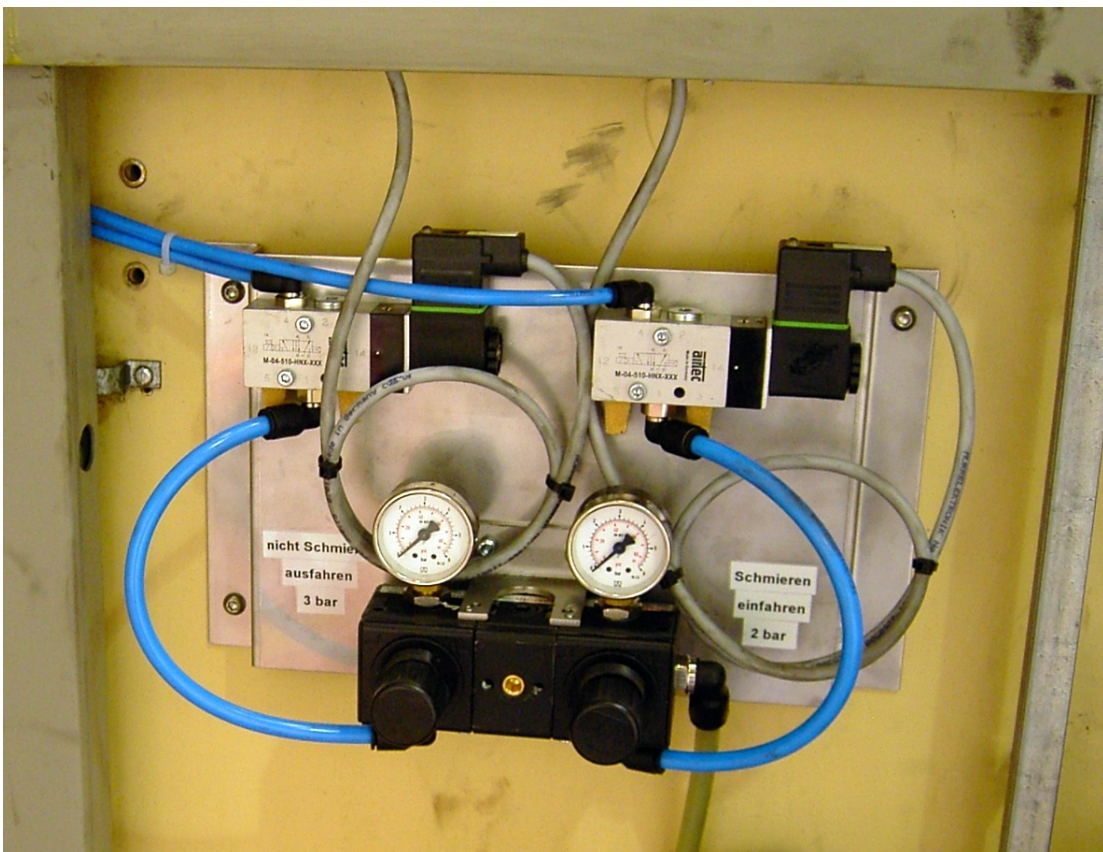
example of a drier, upgraded with a chain lubrication: bearing



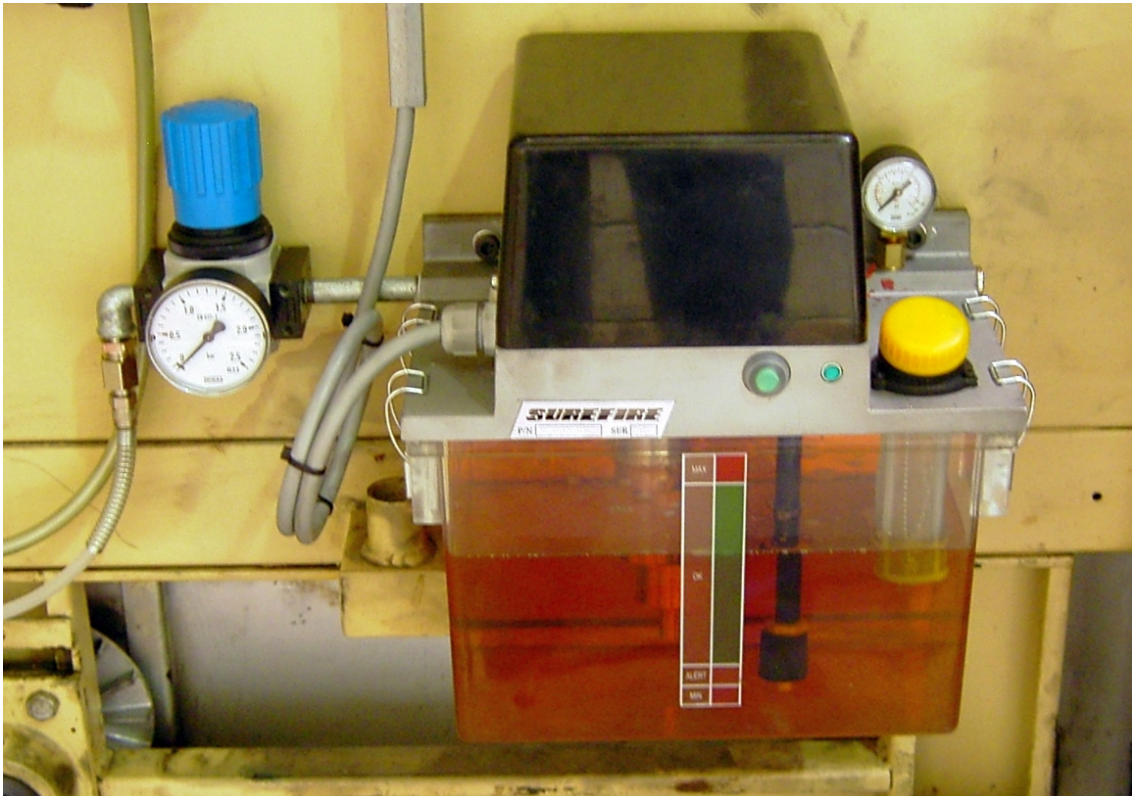
example of a drier, upgraded with a chain lubrication: sprockets



example of a drier, upgraded with a chain lubrication: control panel

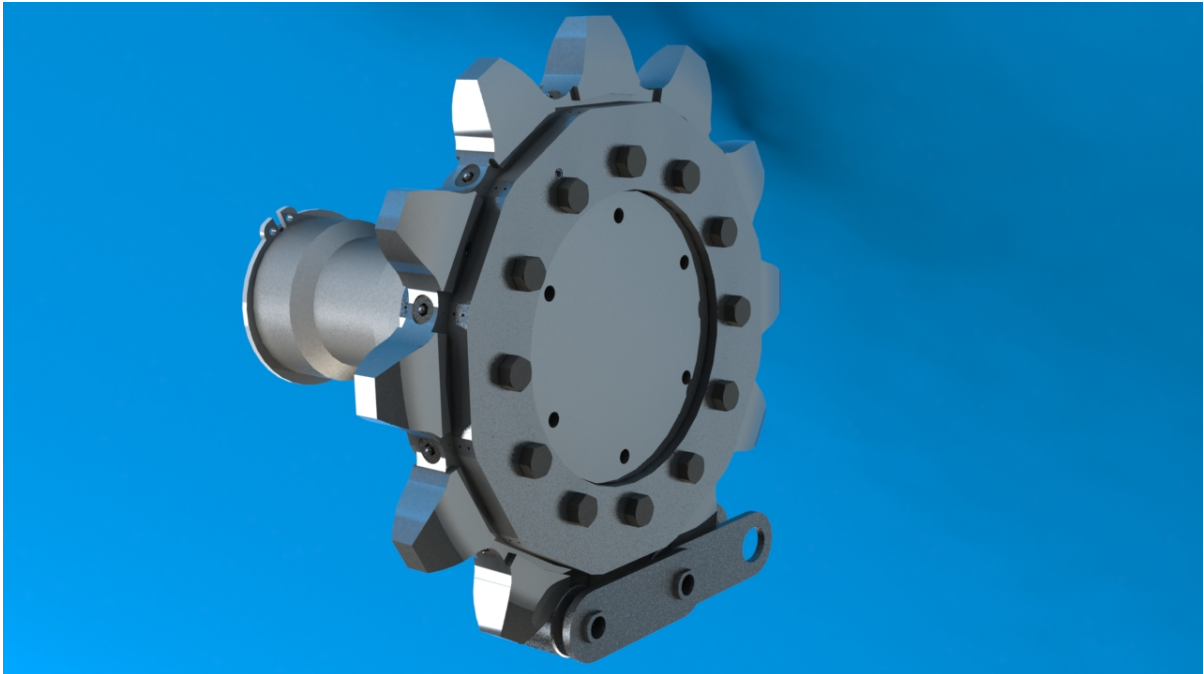


example of a drier, upgraded with a chain lubrication: pneumatics



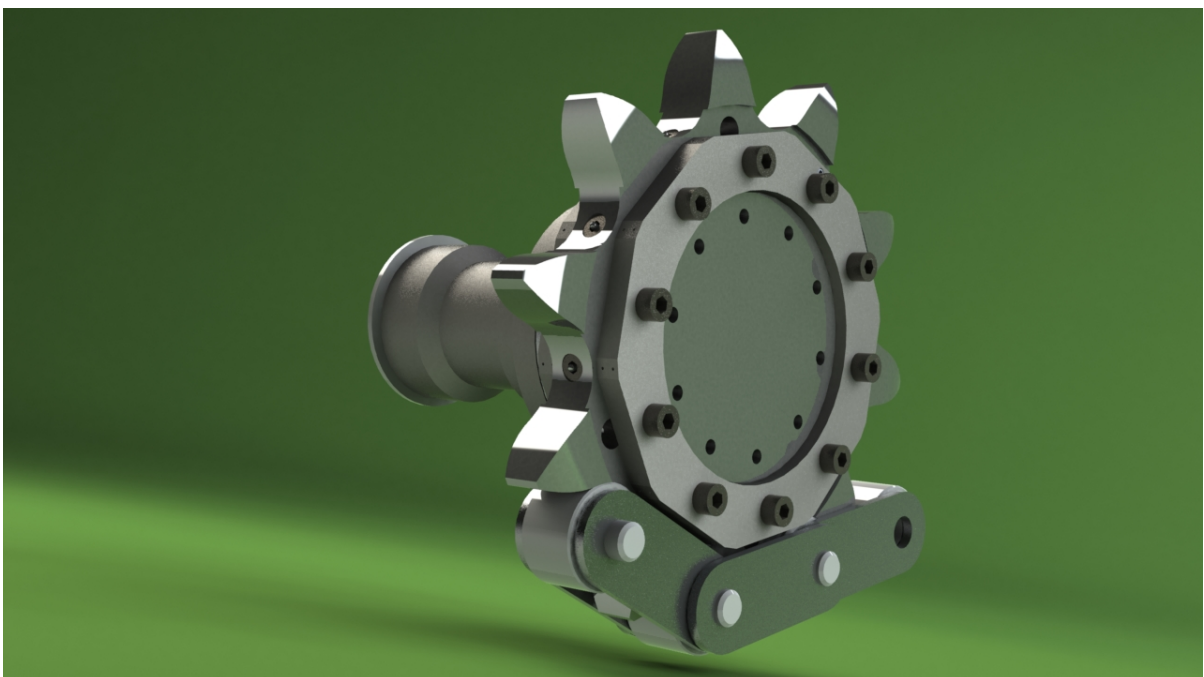
example of a drier, upgraded with a chain lubrication: pump

4.3.3.3 Automated Chain Lubrication for conventional drier chains



Realisation like 4.3.3.2, but fitted with lubrication sprockets suitable to conventional chains with roller diameter $D = 20$ mm.

In opposite to 4.3.3.2 only available for chain pitches T30 – T50



Chain Lubrication systems for chains with roller diameter $D = 28$ mm are available for chains T40 – T50

4.3.3.4 Sprimag lubricating oil up to 300°C

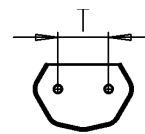
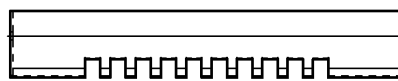


Part No.	Item	Remarks
51104651	20L Sprimag special lubricating oil Typ-S	mandatory for Sprimag automated chain lubricating devices, usable up to 300°C

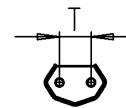
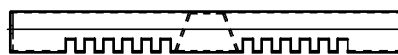
4.3.4 Conveyor Baskets



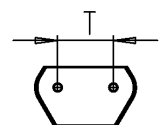
Single Basket



Double Basket

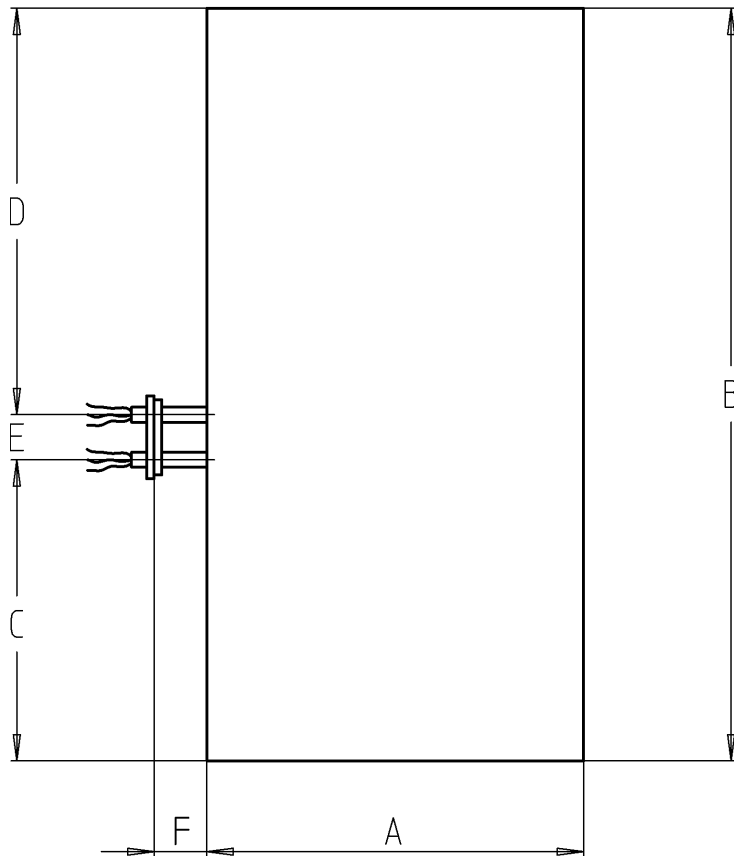


Triple Basket



Conveyor baskets depend on format and machine, thus should be inquired separately.

4.3.5 Heating Radiator for Driers and Annealing Ovens



Part No.	Output	Voltage	A [mm]	B [mm]	C [mm]	D [mm]	E [mm]	F [mm]
50617423	3 x 750 W	200 V	298	683	595	28	60	68,5
50609676	3 x 750 W	200 - 255 V	298	683	595	28	60	68,5
50615056	3 x 750 W	280 V	298	683	595	28	60	68,5
50600628	3 x 900 W	200 - 255 V	298	810	375	375	60	64
50600725	3 x 900 W	200 - 255 V	298	1020	790	170	60	68,5
53112099	3 x 1000 W	240 V	298	683	591,5	21,5	5 x 14	68,5
50600610	3 x 1100 W	160 V	298	810	375	375	60	64
50600466	3 x 1100 W	200 - 255 V	298	810	375	375	60	68,5
50600458	3 x 1100 W	200 - 255 V	298	1020	790	170	60	68,5

Part No.	Output	Voltage	A [mm]	B [mm]	C [mm]	D [mm]	E [mm]	F [mm]
50988162	3 x 1100 W	266 V	298	810	375	375	60	68,5
50988189	3 x 1100 W	266 V	298	1020	790	170	60	80
50600563	3 x 1150 W	200 - 255 V	320	1370	528,5	781,5	60	67,5
50600660	3 x 1150 W	200 - 255 V	470	730	643	27	60	59
50600733	3 x 1150 W	200 - 255 V	730	730	649	21	60	117,5
53109142	3 x 1150 W	220 V	298	810	375	375	60	68,5
50916056	3 x 1150 W	330 V	320	1370	528,5	781,5	60	67,5
53108927	3 x 1300 W	220 V	298	683	595	28	60	68,5
50601110	3 x 1500 W	160 V	320	1370	528,5	781,5	60	67,5
50600431	3 x 1500 W	200 - 255 V	320	1370	528,5	781,5	60	67,5
50600644	3 x 1500 W	200 - 255 V	470	730	643	27	60	59
50600687	3 x 1500 W	200 - 255 V	730	730	649	21	60	117,5

4.3.6 Worm Gears for Driers and Annealing Ovens



worm gear

Part No.	Size	Transmission
50632457	SG 65	i = 1 : 10
53110973	SG 80	i = 1 : 10
53116675	SG 100	i = 1 : 10

4.6.6.1. Spare part for Worm Gear SG 65

Part No.	Item	Description
50632503	worm shaft M2,5	for 50632457 SG 65 with i = 1 : 10
50632511	worm wheel M2,5 Z40	for 50632457 SG 65 with i = 1 : 10

4.3.7 Retrofit Kits for Driers and Annealing Ovens



shaft seal



retrofit kit tensioning shaft sealing

4.3.7.1 Retrofit Kit Sealings

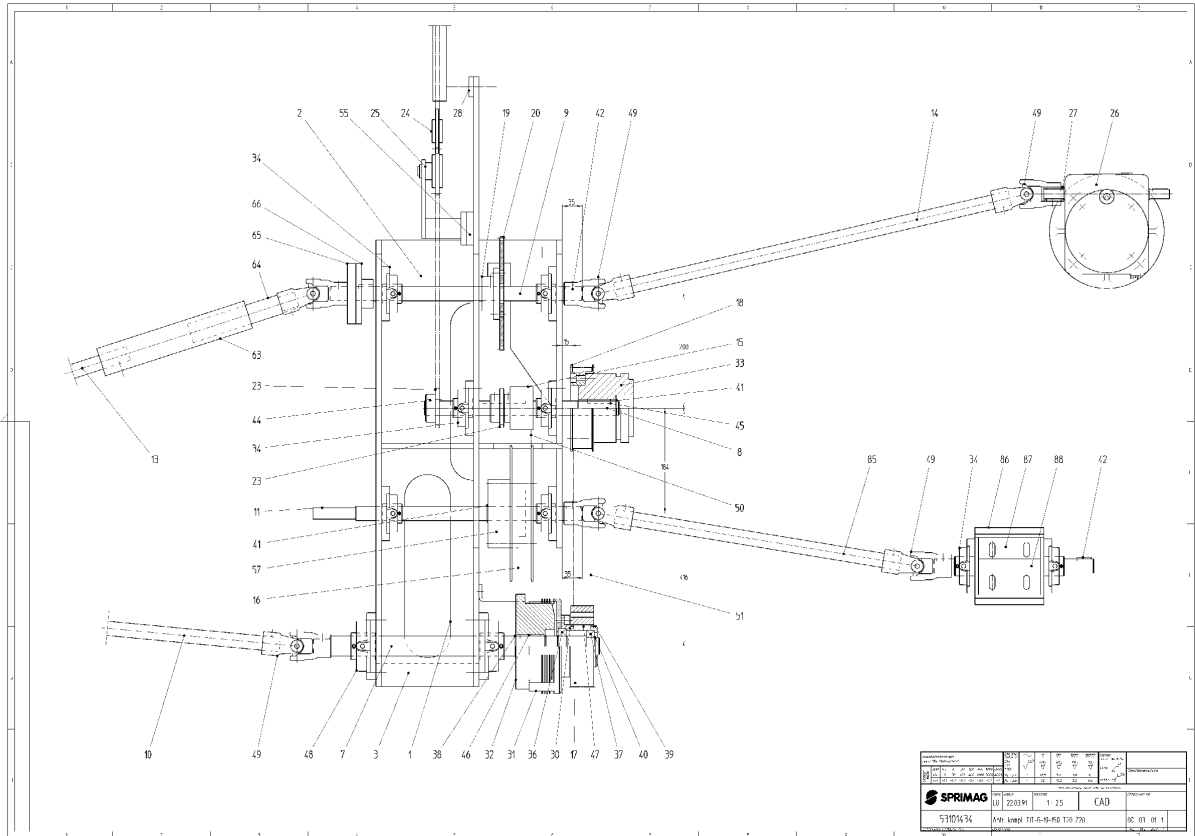
Part No.	Item	Description
53114324	shaft seal 160x160 mm	shaft seal for replacement of shafts for driers with 2 mm wall
53128465	shaft seal 150x150 mm	shaft seal for replacement of shafts for driers with 2 mm wall
53128466	shaft seal 130x130 mm	shaft seal for replacement of shafts for driers with 2 mm wall
63200974	shaft seal 160x160 mm	shaft seal for driers with 4 mm wall
53123966	retrofit kit tensioning shaft sealing 150x150 mm	retrofit kit without panel for replacement of shafts

More details on request

4.3.7.2 Spare part for drive coupling 50697885 for TGO

Part No.	Item	Description
51090665	clutch type 9400116A	for TGO

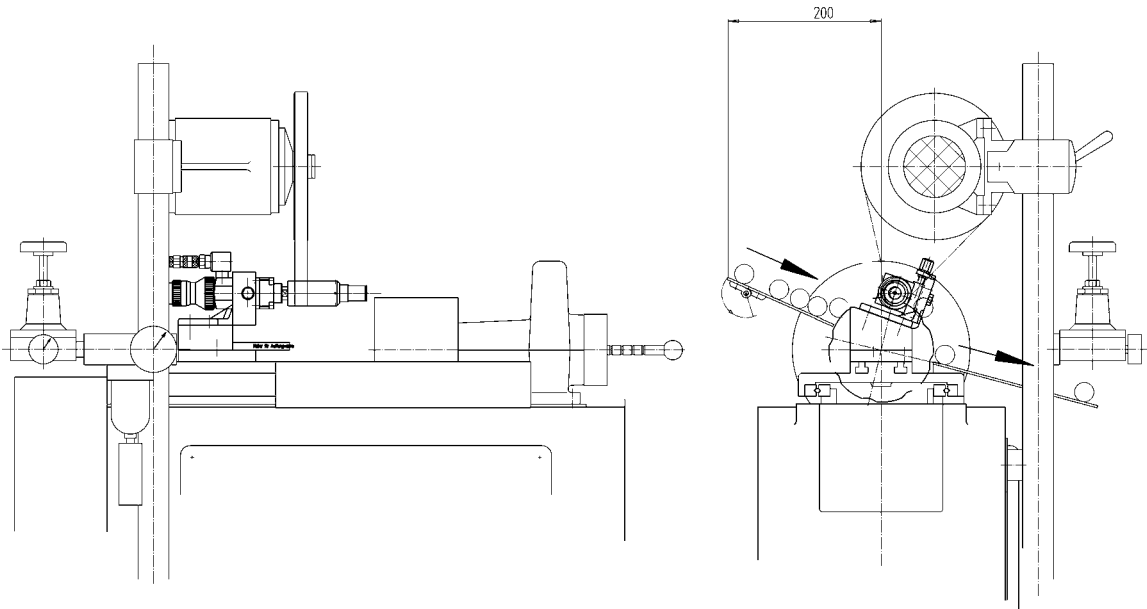
4.3.7.3 Spare Part for drive coupling 50697885 for TIT



Part No.	Item	Description
53105592	clutch	1x
53119694	main shaft	1x
50036013	parallel key	2x
50256854	parallel key	1x

4.4 TGA-120

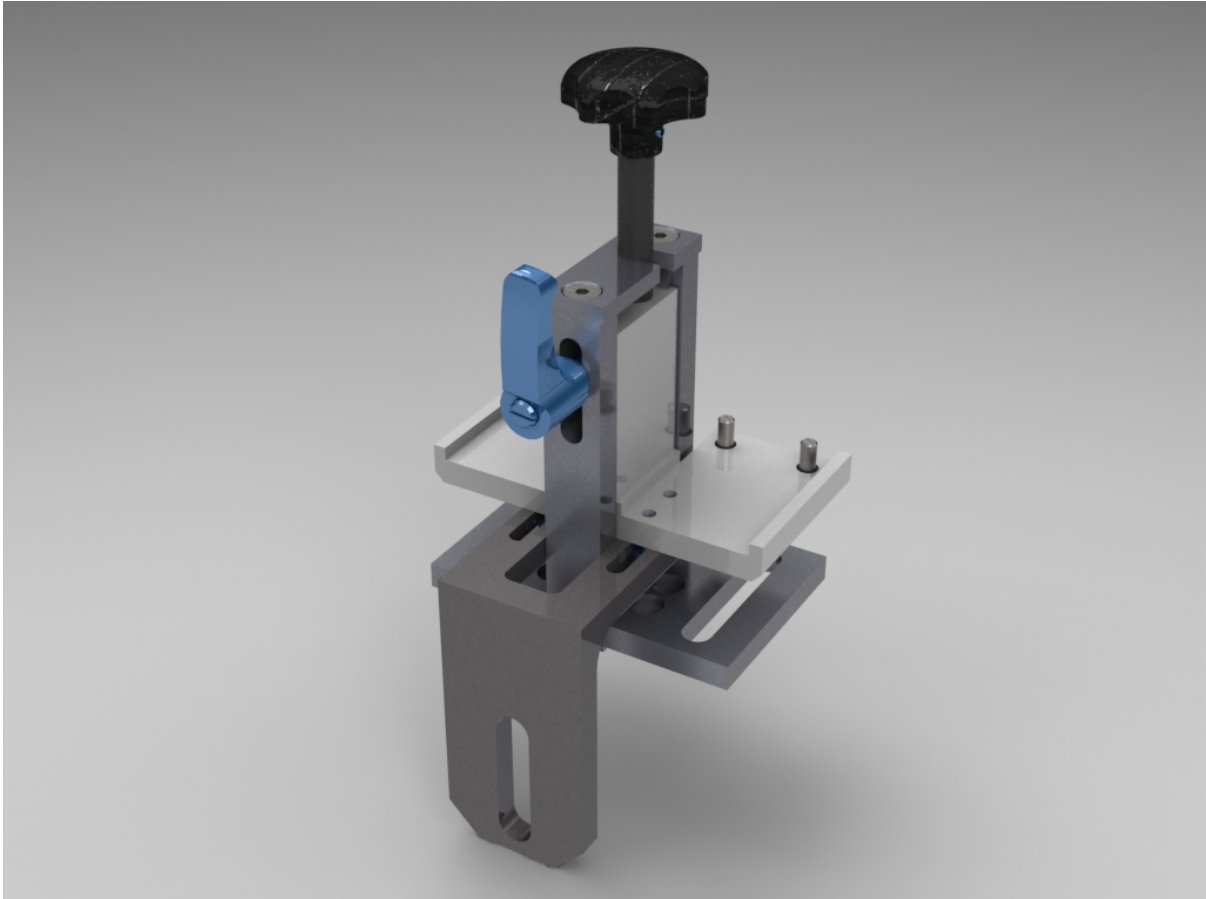
4.4.1 Replacement of S-148 with S-520



Part No.	Item
52333520	retrofit kit TGA 120 from S-148 to S-520

4.5 TGA-170

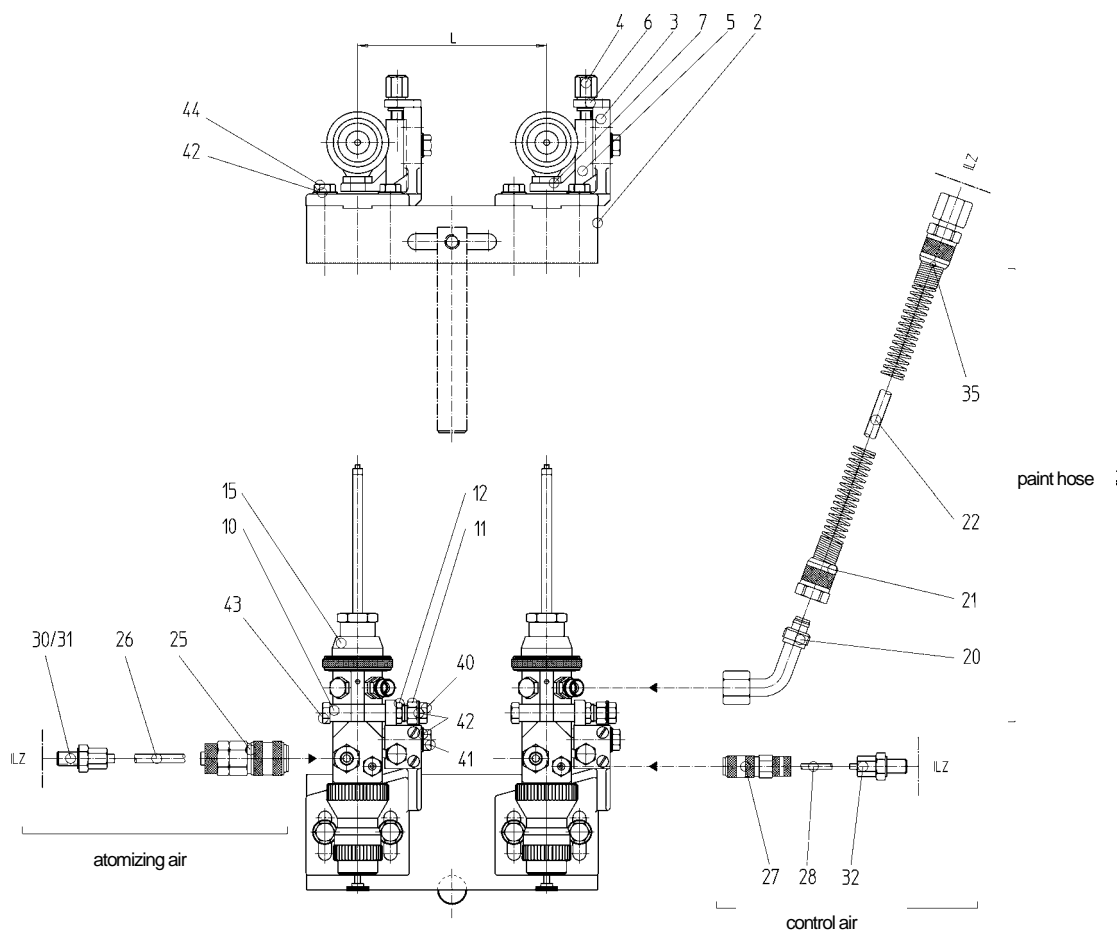
4.5.1 Replacement of S-520 with S-540



Retrofit kit S-520 to S-540

Part No.	Item
53124301	Retrofit kit S-520 to S-540

4.6 Retrofit Kits ILZ

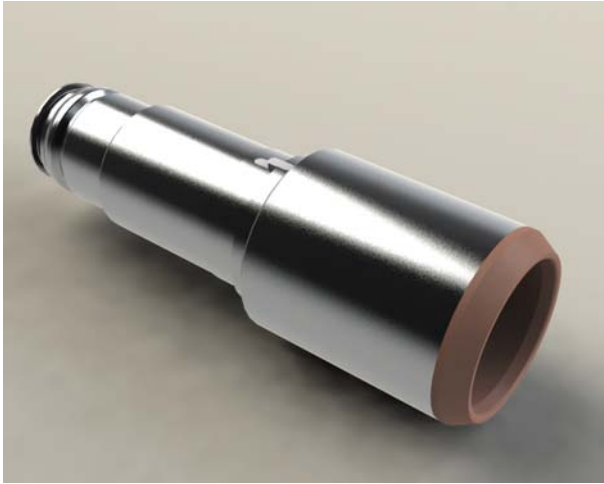


Part No.	Item	spindle pitch mm
53104082	retrofit kit for 2 spray guns S-233 (incl. 2 spray guns S-233)	76
53104083	retrofit kit for 2 spray guns S-233 (incl. 2 spray guns S-233)	87
53104084	retrofit kit for 2 spray guns S-233 (incl. 2 Spray guns S-233)	101
53104085	retrofit kit for 2 spray guns S-233 (incl. 2 Spray guns S-233)	122
53104071	retrofit kit for S-233 (only holder)	76
53104072	retrofit kit for S-233 (only holder)	87
53104073	retrofit kit for S-233 (only holder)	101
53104074	retrofit kit for S-233 (only holder)	122

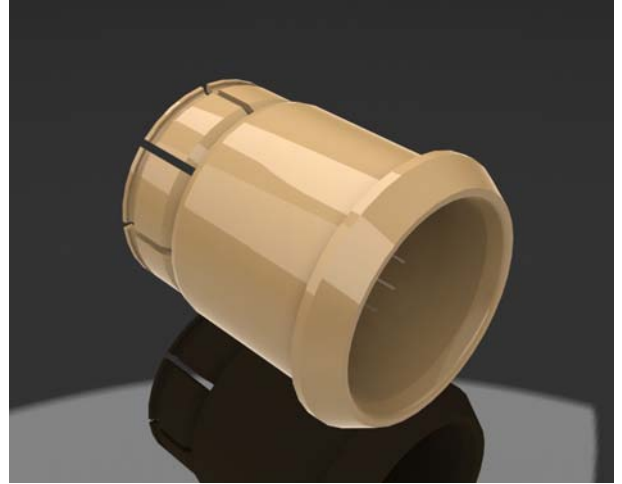
5 Customized Spare Parts

- 5.1 Tooling Set
- 5.2 Improvements of AVT Drum for HIL and Cooling Tower
 - 5.2.1 Upgrade Kit Vacuum Adjustment HIL
 - 5.2.2 Upgrade Kit Vacuum Adjustment Cooling Tower
 - 5.2.3 Drive for AVT - complete
 - 5.2.4 Upgrade Torque Support
 - 5.2.5 Upgrade Drum Cam
 - 5.2.6 Upgrade Swivel Unit
 - 5.2.7 Alignment Tool for AVT
 - 5.2.8 Maintenance Set for AVT Bearing

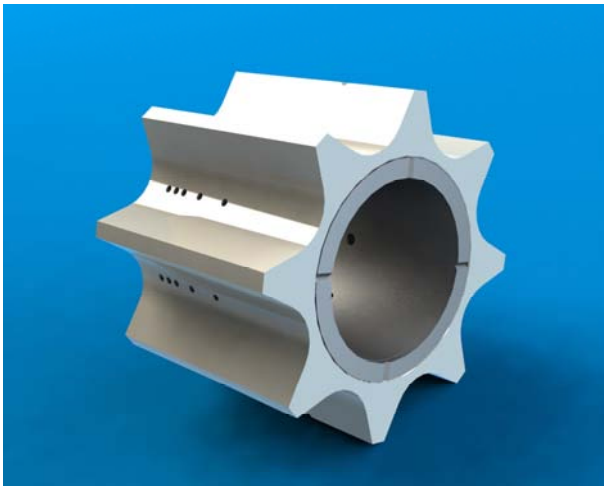
5.1 Tooling Set



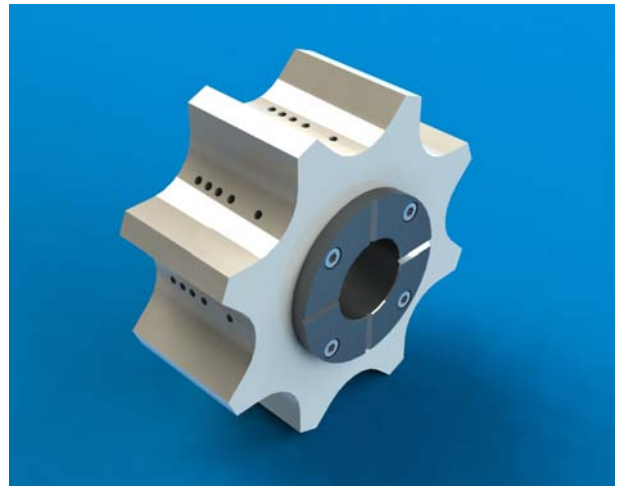
chuck



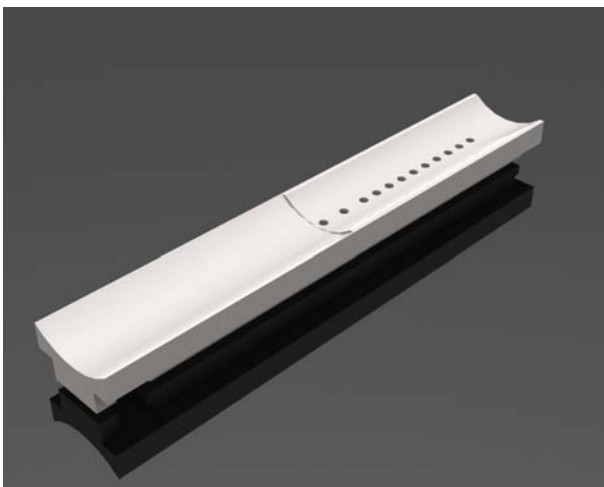
chuck bit



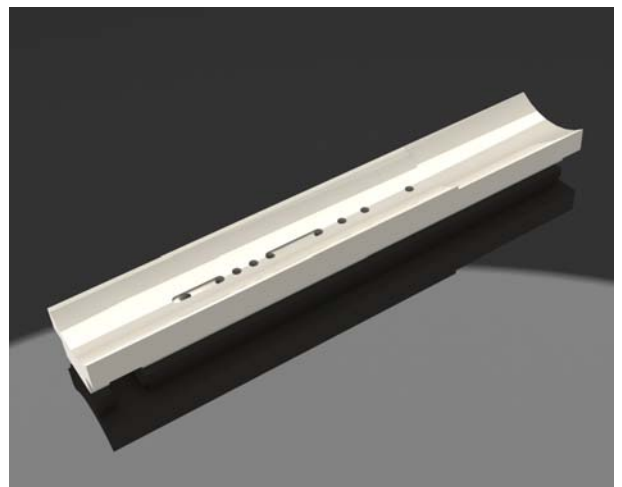
infeed star



outfeed star



cradle AVT HIL



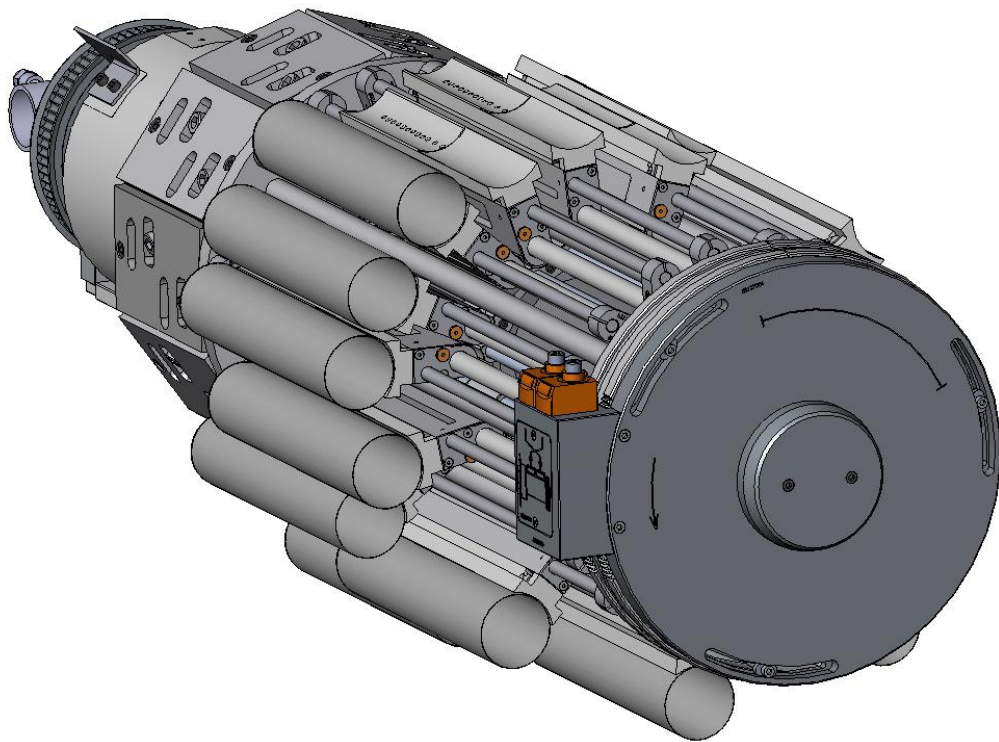
cradle AVT cooling tower

CUSTOMIZED SPARE PARTS



Part No.	Item	Machine
53116293	tooling set for cans D = 35	HIL-50
53116294	tooling set for cans D = 38	HIL-50
53116295	tooling set for cans D = 40	HIL-50
53116296	tooling set for cans D = 50	HIL-50
53116297	tooling set for cans D = 53	HIL-50

5.2 Improvements of AVT Drum for HIL and Cooling Tower

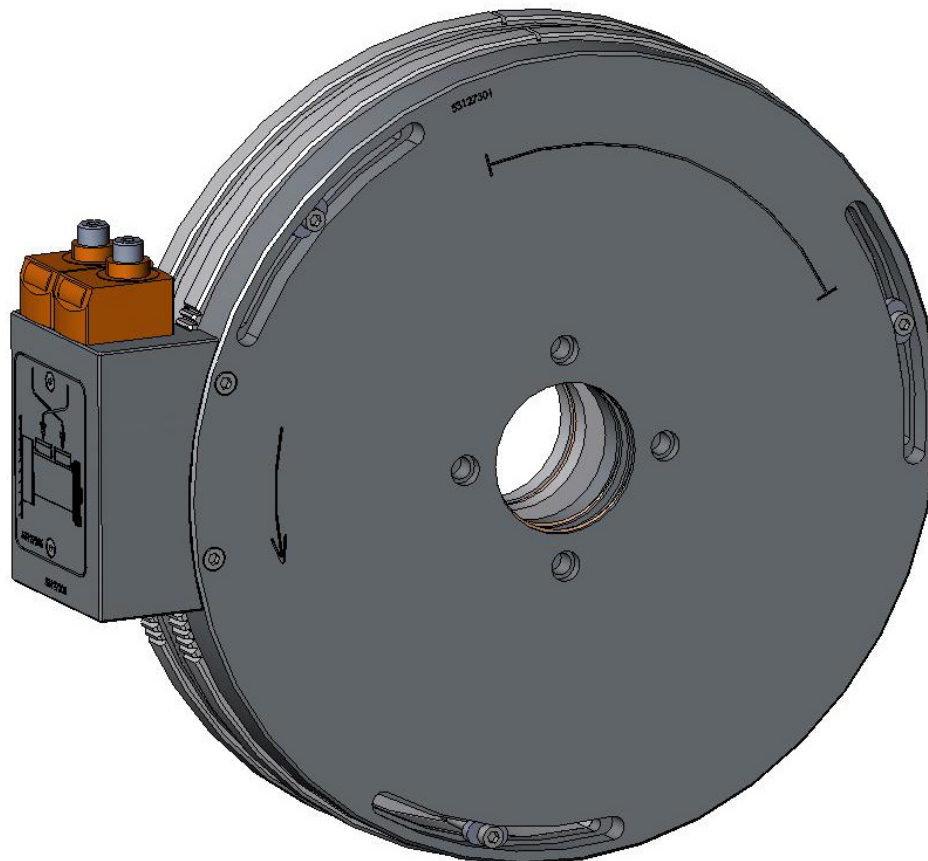


Improvements:

- Torque support reinforced and removable
- Axial sealing and clamping of vacuum discs, reproducible adjustment of individual tracks
- Drive bearing revised: use of 2 pre-tensioned roller bearings
- Clamping of the swivel unit with fixed aligning pin, double spring equipment,
- Reduced weight on basket slides
- Drum cam made of plasma-nitrited steel and increased surface for cam roller
- Increased roller surface on slide

The retrofit kits for AVT drums depend on machine types.
Please contact us if you are interested.

5.2.1 Upgrade Kit Vacuum Adjustment HIL



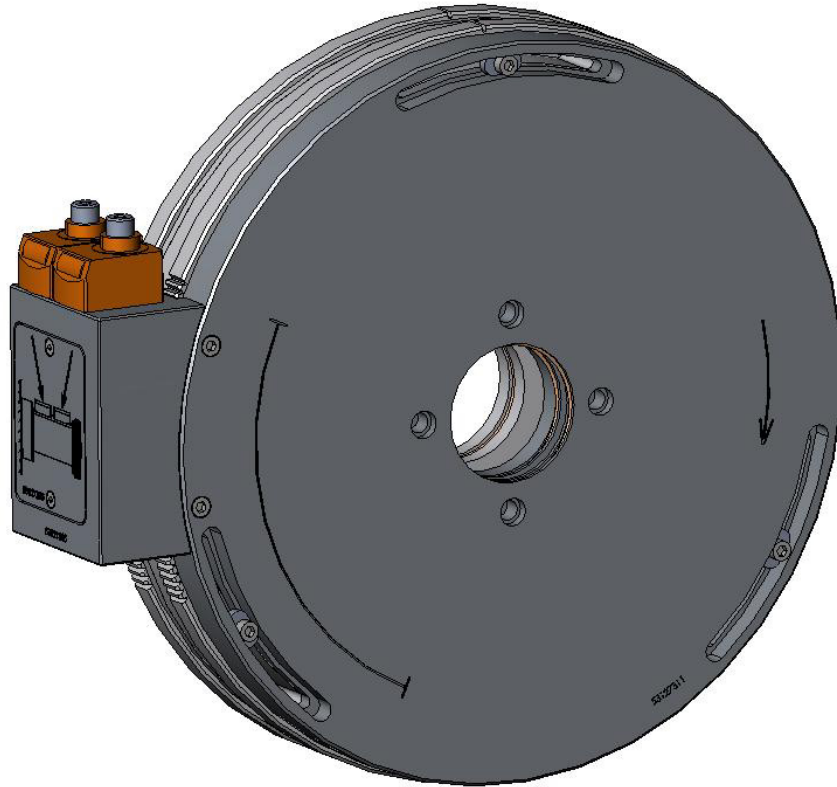
Advantages:

- Axial sealing and clamping of discs (no sticking O-rings)
- Reproducible adjustment of individual tracks
- Identification of individual tracks
- Markings for the alignment and the direction of rotation

The retrofit kits for AVT drums depend on machine types.

Please contact us if you are interested.

5.2.2 Upgrade Kit Vacuum Adjustment Cooling Tower

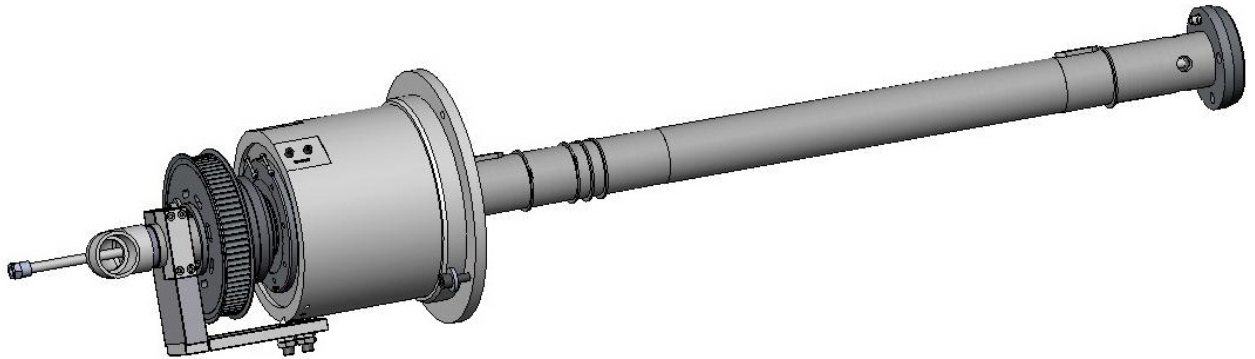


Advantages:

- Axial sealing and clamping of discs (no sticking O-rings)
- Reproducible adjustment of individual tracks
- Identification of individual tracks
- Markings for the alignment and the direction of rotation

The retrofit kits for AVT drums depend on machine types.
Please contact us if you are interested.

5.2.3 Drive for AVT - complete



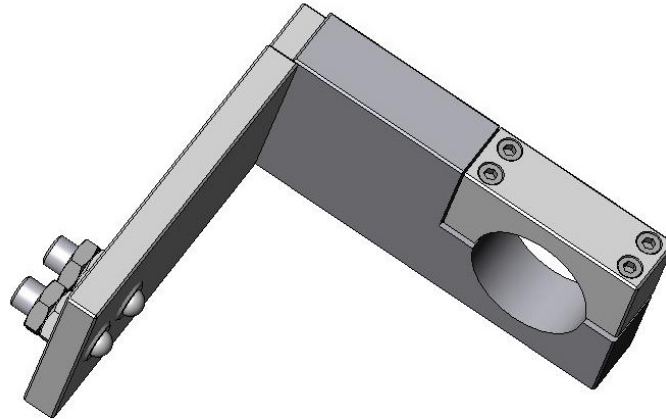
Advantages:

- Reinforced drive bearing (pre-tensioned taper roller bearings)
- Torque support removable
- Greater release torque

The retrofit kits for AVT drums depend on machine types.

Please contact us if you are interested.

5.2.4 Upgrade Torque Support



Advantages:

- Reinforced bracket holder
- Removable
- Greater release torque

The retrofit kits for AVT drums depend on machine types.

Please contact us if you are interested.

5.2.5 Upgrade Drum Cam



Advantages:

- contact surface of roller enlarged
- Drum cam made of plasma-nitrited steel and increased surface for cam roller

The retrofit kits for AVT drums depend on machine types.

Please contact us if you are interested.

5.2.6 Upgrade Swivel Unit



Advantages:

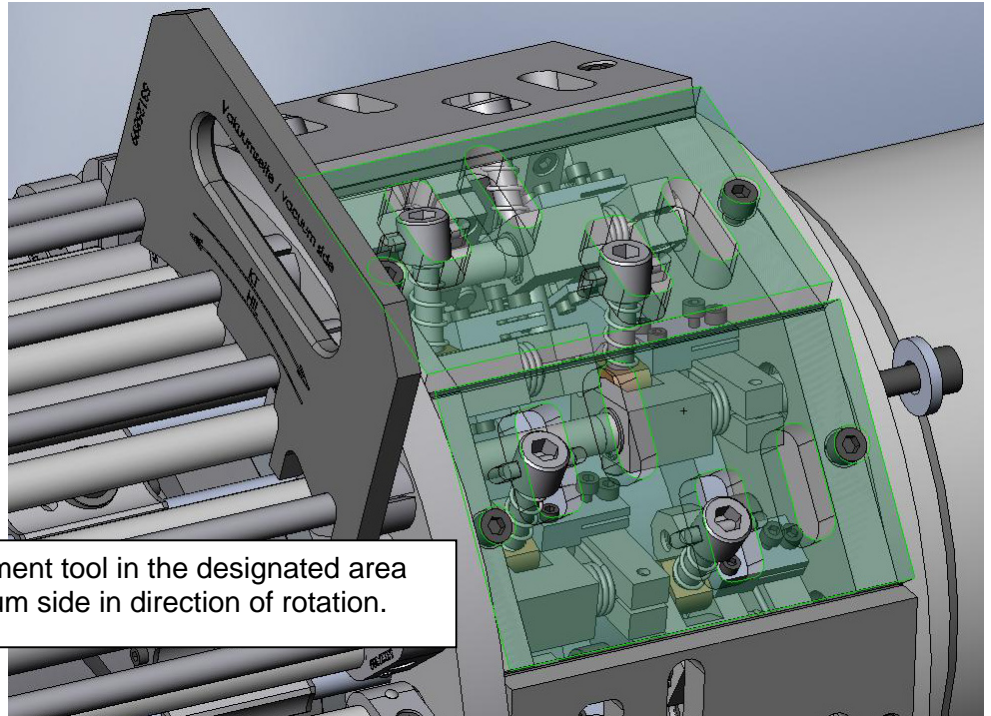
- Clamping of the swivel unit with fixed aligning pin
- Double spring disconnection
- Simplified adjustment of the swivel unit

The retrofit kits for AVT drums depend on machine types.

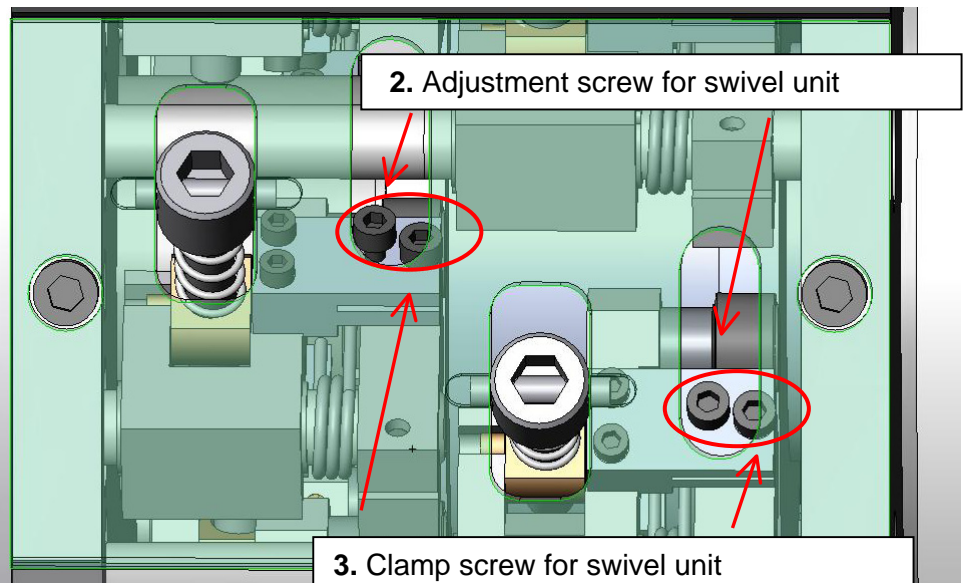
Please contact us if you are interested.

Adjustment of Swivel Unit

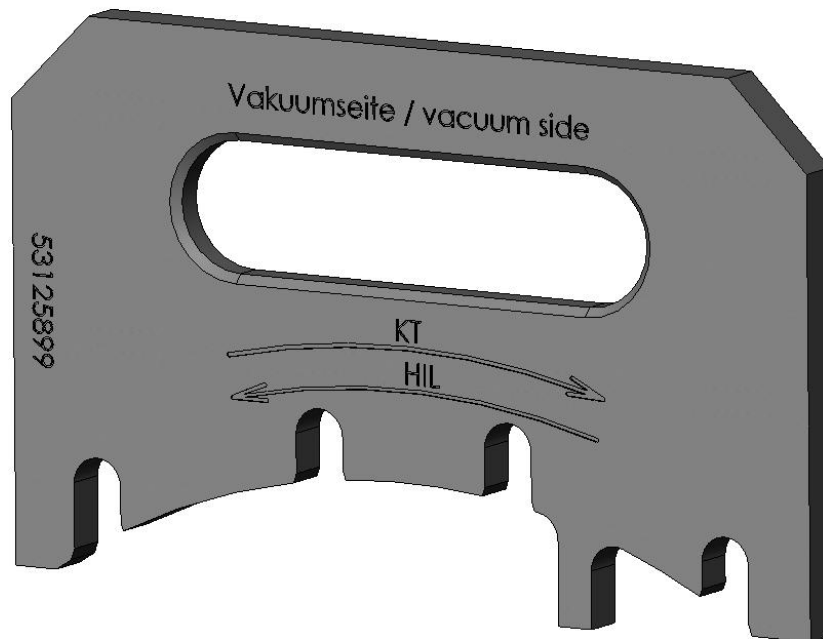
Is only carried out by...



...Adapter flange of AVT drum HIL / Cooling Tower



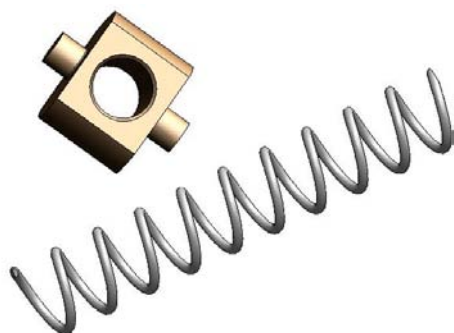
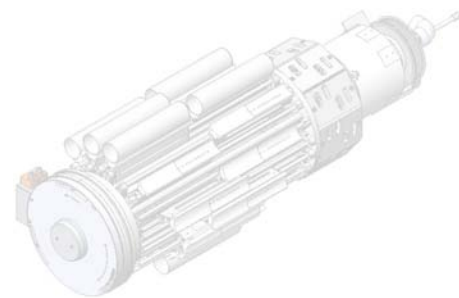
5.2.7 Alignment Tool for AVT



The retrofit kits for AVT drums depend on machine types.

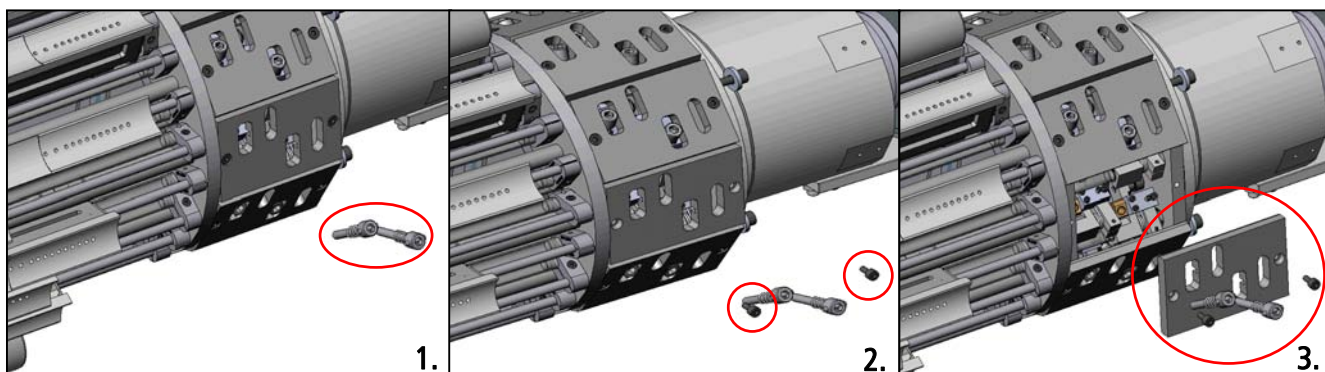
Please contact us if you are interested.

5.2.8 Maintenance Set for AVT Bearing



Article	Description	Article-No.
1 Maintenance Set	Consisting of: <ul style="list-style-type: none"> AVT Bearing 20 parts Pressure Spring 20 parts 	53128060

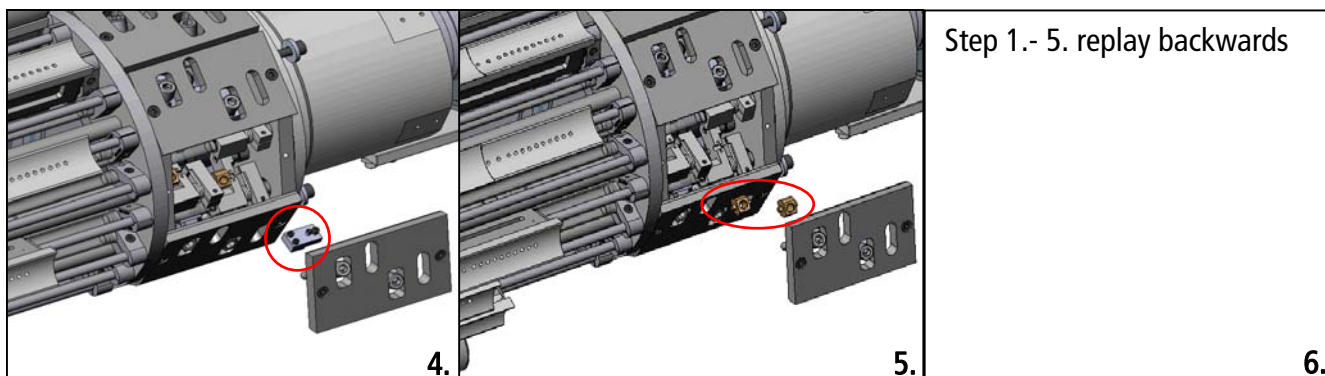
Replace instruction



1. Remove „spring mandrel“

2. Remove bolts for „flange adapter“

3. Remove „flange adapter“



4. Remove „stop swiveling lever“

5. Replace the „Bearing AVT“

6. Step 1.- 5. replay backwards

6 Accessories

- 6.1 FORTRON-Substitute-Controller
- 6.2 Diagnosis System with Valve Monitoring

6.1 FORTRON-Substitute-Controller

The FORTRON-Spray-Controller which was used in earlier times is not available any more and can not be repaired!

Therefore Sprimag is offering a replacement controller with the following features:

- Suitable for up to 6 spray guns
- Spray valves and test pushbuttons remain in place
- Up to 20 recipes can be stored
- Each spray gun is independent adjustable
- Easy and simple installation – plug and socket
- Installation can be done by the customer himself
- Installation causes only short downtime

Installation procedure:

- Remove old Fortron control unit
- Install adapter
- Attach new control unit Fo-Ers to the adapter
- Install new encoder in the machine
- Connect all cables to the adapter
- Adjust sensor to the tube
- Pressing the push button to zero the encoder
- Adjust spray range – machine ready to start

Spare parts in stock at sprimag



Part No.	Item
52161908	Fortron-substitute-controller for HIL-02
52161910	Fortron-substitute-controller for HIL-08
52161911	Fortron-substitute-controller for HIL-28

6.2 Diagnosis System with Valve Monitoring

Part No.	Item
51102315	5/2-solenoid valve with position monitoring
53119645	valve panel